

# Swing Pipe Fittings

*to create flexible connections to your sprinklers*

Made of Acetal material for a **Quick and Easy** connection to a swing pipe

**New Design** for the **most Secure Connection**

Prevents blow outs and is less likely to leak **Reducing Contractor Call Backs**

No glue or clamps needed



FPA-0500



FPA-0750



FPT-0500



FPC-0490



FPE-0750

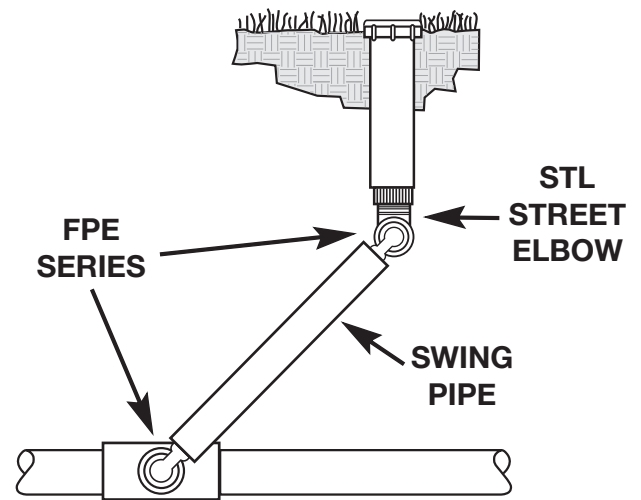
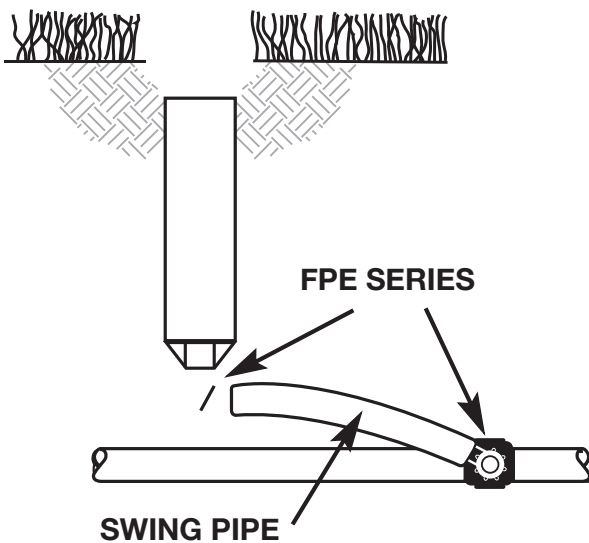


FPE-0500

# Conversion Table

PART NUMBER	DESCRIPTION	Bag Qty.	Carton Qty.	REFERENCE NUMBERS	
				Rainbird part No.	Toro part No.
FPA-0500	1/2" MIPT x 1/2" BARBED FLEXEE PIPE ADAPTER	50	300	SBA-050	53388
FPA-0750	3/4" MIPT x 1/2" BARBED FLEXEE PIPE ADAPTER	50	250	SBA-075	53389
FPC-0490	1/2" BARBED FLEXEE PIPE CONNECTOR	50	250	SB-CPL6	53307
FPE-0500	1/2" MIPT x 1/2" BARBED FLEXEE PIPE ELBOW	50	400	SBE-050	53304
FPE-0750	3/4" MIPT x 1/2" BARBED FLEXEE PIPE ELBOW	50	250	SBE-075	53305
FPT-0500	1/2" BARBED FLEXEE PIPE TEE	50	250	SB-TEE	53390

## Typical Installation:



Since 1972, NDS, Inc. has been a leader in water-management solutions for both residential and commercial markets. NDS, Inc. is the industry's primary source for stormwater management, efficient landscape irrigation and water-flow management.

[ndspro.com](http://ndspro.com)

for videos, specs, detail drawings and case studies

## Fittings Specifications:

- Made of Acetal Material
- Rated at 80 PSI and 110° F
- Fits 1/2 polyethylene tubing
- Fits Schedule 40 pipe thread
- MIPT- Male Iron Pipe Thread