



**NDS**®  
We put water in its place

Your knowledgeable and trusted partner for the best in water management solutions



Residential Stormwater Management | Commercial Stormwater Management | Professional Irrigation | Flow Management

2024 | 2025

# Product Catalog

[ndspro.com](https://ndspro.com)

MADE IN  
**USA**





## ACCESS BOXES



VALVE BOXES



**NDS® valve and meter boxes are proudly manufactured in Lindsay, CA, and span a wide variety of sizes, from 6" round to 17" x 30" rectangular. Available with black, green, purple, gray, and sand covers with designations including irrigation control valve, water, sewer, electric, reclaimed water, cable TV, telephone, and others, all NDS boxes and lids contain UV inhibitors for sustained durability and performance in direct sunlight.**

## **NDS® PRO-SPEC™ SERIES VALVE BOXES – NEXT-GENERATION COMMERCIAL GRADE**

The NDS Pro-Spec™ Series line is the next generation of valve boxes, ideal for the specification market. These boxes are engineered with unique corrugated sidewalls that provide added strength to the boxes while reducing material and weight. The Pro-Spec™ Series boxes are the strongest in the NDS offering, and they also come with reinforced lids.

### Details

- Corrugated sidewalls provide greater strength
- Specification grade valve boxes for professional applications
- Reinforced covers for heavier loads
- Brass nut on boxes for bolt-down capability

### Materials and Standards

- High-impact, high-density, injection-molded structural foam polyethylene construction with a melt index between 10-12
- Overlapping covers prevent dirt and grass from settling in between body and cover
- UV inhibitors prevent discoloration and cracking
- 5-year warranty
- Overlapping and drop-in covers available

## **NDS® STANDARD SERIES VALVE BOXES**

### Residential/Commercial Grade

NDS valve, meter and access boxes are offered in a wide range of sizes from the 6-inch round valve box to the 17" x 30" rectangular box. They are available with black, green, purple, gray and sand covers with designations including irrigation control valve, water, sewer, electric, reclaimed water, cable TV, telephone and others.

### Details

- Covers are identified with ICV (Irrigation Control Valve) designation, unless otherwise specified
- Overlapping covers prevent dirt and grass from settling between body and cover
- The bayonet twist-on cover ensures easy removal on 6-inch and 10-inch round covers
- 6" Snap cover and body available
- The 10-inch round and all rectangular boxes include a brass nut, so bolts may be easily added for lockdown
- UV inhibitors prevent discoloration and deterioration, such as cracking or blistering

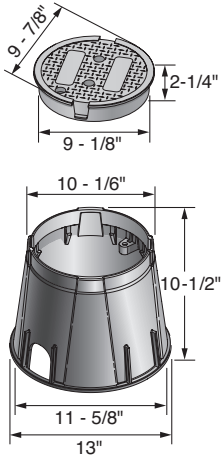
### Materials and Standards

- Overlapping and drop-in covers available
- Available in round, oval, and rectangular
- One-piece molded of polyolefin with a melt index between 10-12
- UV inhibitors added to aid in preventing discoloration and cracking

## NDS PRO-SPEC™ SERIES VALVE BOXES – NEXT-GENERATION COMMERCIAL GRADE

### NDS Pro-Spec™ 10" Round Corrugated Valve Boxes

**Specifications:** The NDS Pro-Spec™ 10" round body is tapered and has a minimum wall thickness of 0.250". The cover seat area has 8 structural support ribs on the underside of the seat, each with a minimum thickness of 0.250". The bottom of the body has a 0.500" flange. The 10" round cover has an average thickness of 0.300". The valve box has a 3/8" Brass nut for the bolt-down as a standard feature.



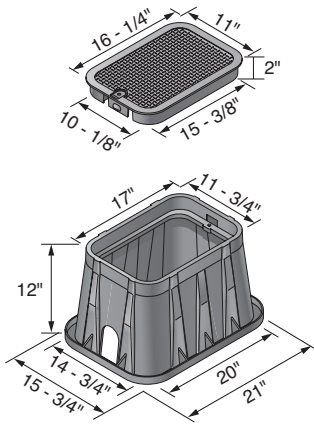
Part No.	Description	Color (Box/Cover)	Pallet Qty.	Weight Ea. (lbs.)	Product Class
<b>Box &amp; Cover</b>					
311BC	10" Round Corrugated Box, Round Overlapping Cover - ICV	Black/Green	132	4.6	20PR
311BCB	10" Round Corrugated Box, Round Overlapping Bolt-Down Cover - ICV	Black/Green	132	4.6	20PR
311BCBLK	10" Round Corrugated Box, Round Overlapping Cover - ICV	Black/Black	132	4.6	20PR
311BCR	10" Round Corrugated Box, Round Overlapping Cover - Reclaimed Water	Black/Purple	132	4.6	20PR
311BCS	10" Round Corrugated Box, Round Overlapping Cover - Sewer	Black/Green	132	4.6	20PR
312BC	10" Round Corrugated Box, Round Overlapping Cover - ICV	Green/Green	132	4.6	20PR
312BC ELEC	10" Round Corrugated Box, Round Overlapping Cover - Electric	Gray/Gray	132	4.6	20PR
312BCB	10" Round Corrugated Box, Round Overlapping Bolt-Down Cover - ICV	Green/Green	132	4.4	20PR
312BCB ELEC	10" Round Corrugated Box, Round Overlapping Bolt-Down Cover - Electric	Gray/Gray	132	4.6	20PR
312BCBS	10" Round Corrugated Box, Round Overlapping Bolt-Down Cover - Sewer	Green/Green	132	4.6	20PR
312BCRBLK	10" Round Overlapping Reclaimed Cover	Black/Black	132	4.7	20PR
312BCRG	10" Round Corrugated Box, Round Overlapping Cover - Reclaimed Water	Green/Green	132	4.6	20PR
312BCS	10" Round Corrugated Box, Round Overlapping Cover - Sewer	Green/Green	132	4.6	20PR
312BCSAND	10" Round Corrugated Box, Round Overlapping Cover - ICV	Sand/Sand	132	4.4	20PR
312BCW	10" Round Corrugated Box, Round Overlapping Cover - Water	Green/Green	132	4.6	20PR
312PBCBR	10" Round Corrugated Box, Round Overlapping Bolt-Down Cover - Reclaimed Water	Purple/Purple	132	4.4	20PR
312PBCR	10" Round Corrugated Box, Round Overlapping Cover - Reclaimed Water	Purple/Purple	132	4.4	20PR
<b>Cover Only</b>					
311C	10" Round Overlapping Cover - ICV	Green	200	1.5	20PR
311C BLK	10" Round Overlapping Cover - ICV	Black	200	1.5	20PR
311C ELEC	10" Round Overlapping Cover - Electric	Gray	200	1.5	20PR
311CR	10" Round Overlapping Cover - Reclaimed Water	Purple	200	1.4	20PR
311CRG	10" Round Overlapping Cover - Reclaimed Water	Green	200	1.5	20PR
311CS	10" Round Overlapping Cover - Sewer	Green	200	1.5	20PR
311CSAND	10" Round Overlapping Cover - ICV	Sand	200	1.4	20PR
311CW	10" Round Overlapping Cover - Water	Green	200	1.5	20PR
<b>Box Only</b>					
311B	10" Round Corrugated Box	Black	132	3	20PR
312B	10" Round Corrugated Box	Green	132	3	20PR
312PB	10" Round Corrugated Box	Purple	132	3	20PR
113BB	2-1/2" x 3/8" SS Bolt	Steel	n/a	0.1	20NM



**NDS PRO-SPEC™ SERIES VALVE BOXES – NEXT-GENERATION COMMERCIAL GRADE**

**NDS Pro-Spec™ 14" x 19" Rectangular Valve Boxes**

**Specifications:** The NDS Pro-Spec™ 14" x 19" body is tapered and has a minimum wall thickness of 0.187". The body has a double wall at the top cover seat area with a minimum thickness of 0.200". The cover seat area has 18 structural support ribs on the underside of the seat, each with a minimum thickness of 0.200". The bottom of the body has a 0.500" flange. The 14" x 19" cover has an average thickness of 0.200". The valve box has a 3/8" Brass nut for the bolt-down as a standard feature.



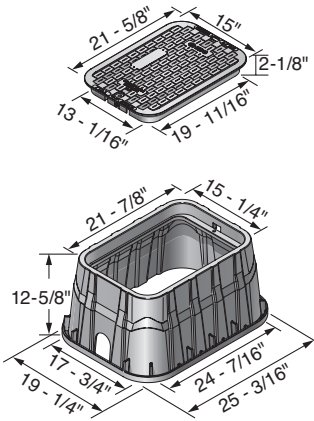
Part No.	Description	Color (Box/Cover)	Pallet Qty.	Weight Ea. (lbs.)	Product Class
<b>Box &amp; Cover</b>					
313BC	14" x 19" Box, Overlapping Cover - ICV	Black/Green	72	8.4	20PR
313BCB	14" x 19" Corrugated Box, Overlapping Bolt-Down Cover - ICV	Black/Green	72	8.5	20PR
313BCBBLK	14" x 19" Corrugated Box, Overlapping Bolt-Down Cover - ICV	Black/Black	72	8.5	20PR
313BCBR	14" x 19" Corrugated Box, Overlapping Bolt-Down Cover - Reclaimed Water	Black/Purple	72	8.5	20PR
313BCBRBLK	14" x 19" Corrugated Box, Overlapping Bolt-Down Cover - Reclaimed Water	Black/Black	72	8.5	20PR
313BCBWBLK	14" x 19" Corrugated Box, Overlapping Bolt-Down Cover - Water	Black/Black	72	8.5	20PR
314BCB	14" x 19" Corrugated Box, Overlapping Bolt-Down Cover - ICV	Green/Green	72	8.5	20PR
314BCB ELEC	14" x 19" Corrugated Box, Overlapping Bolt-Down Cover - Electric	Gray/Gray	72	8.5	20PR
314BCBRG	14" x 19" Corrugated Box, Overlapping Bolt-Down Cover - Reclaimed Water	Green/Green	72	8.5	20PR
314BCBS	14" x 19" Corrugated Box, Overlapping Bolt-Down Cover - Sewer	Green/Green	72	8.5	20PR
314BCBSAND	14" x 19" Corrugated Box, Overlapping Bolt-Down Cover - ICV	Sand/Sand	72	8.5	20PR
314BCBW	14" x 19" Corrugated Box, Overlapping Bolt-Down Cover - Water	Green/Green	72	8.5	20PR
314BCSAND	14" x 19" Box, Overlapping Cover - ICV	Sand/Sand	72	8.2	20PR
314PBCBR	14" x 19" Corrugated Box, Overlapping Bolt-Down Cover - Reclaimed Water	Purple/Purple	72	8.4	20PR
314PBCR	14" x 19" Box, Overlapping Cover - Reclaimed Water	Purple/Purple	72	7.3	20PR
<b>Cover Only</b>					
313C	14" x 19" Overlapping Cover - ICV	Green	300	2.3	20PR
313C ELEC	14" x 19" Overlapping Cover - Electric	Gray	300	2.3	20PR
313CBLK	14" x 19" Overlapping Cover - ICV	Black	300	2.3	20PR
313CG ELEC	14" x 19" Overlapping Cover - Electric	Green	300	2.3	20PR
313CR	14" x 19" Overlapping Cover - Reclaimed Water	Purple	300	2.3	20PR
313CRBLK	14" x 19" Overlapping Cover - Reclaimed Water	Black	300	2.81	20PR
313CRG	14" x 19" Overlapping Cover - Reclaimed Water	Green	300	2.3	20PR
313CSAND	14" x 19" Overlapping Cover - ICV	Sand	300	2.3	20PR
313CW	14" x 19" Overlapping Cover - Water	Black	300	2.3	20PR
314CS	14" x 19" Overlapping Cover - Sewer	Green	300	2.3	20PR
314CW	14" x 19" Overlapping Cover - Water	Green	300	2.3	20PR
<b>Box Only</b>					
314B	14" x 19" Box	Green	72	5	20PR
314BBLK	14" x 19" Valve Box	Black	72	5.41	20PR
113BB	2-1/2" x 3/8" SS Bolt	Steel	n/a	0.1	20NM

VALVE BOXES

## NDS PRO-SPEC™ SERIES VALVE BOXES – NEXT-GENERATION COMMERCIAL GRADE

### NDS Pro-Spec™ 13" x 20" Rectangular Valve Boxes

**Specifications:** The NDS Pro-Spec™ 13" x 20" body is tapered and has a minimum wall thickness of 0.250". The body has a double wall at the top cover seat area with a minimum thickness of 0.250". The cover seat area has 22 structural support ribs on the underside of the seat, each with a minimum thickness of 0.130". The bottom of the body has a 0.500" flange. The 13" x 20" cover has an average thickness of 0.250". The valve box has a 3/8" Brass nut for the bolt-down as a standard feature.



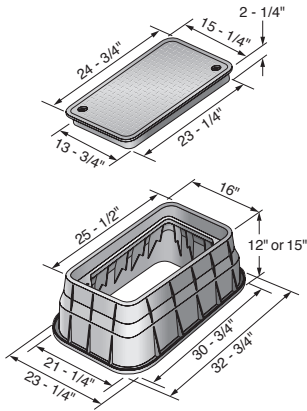
Part No.	Description	Color (Box/Cover)	Pallet Qty.	Weight Ea. (lbs.)	Product Class
<b>Box &amp; Cover</b>					
317BCB	13" x 20" Jumbo Corrugated Box, Overlapping Bolt-Down Cover - ICV	Black/Green	56	14.6	20PR
317BCBBLK	13" x 20" Jumbo Corrugated Box, Overlapping Bolt-Down Cover - ICV	Black/Black	56	14.6	20PR
317BCBW	13" x 20" Jumbo Corrugated Box, Overlapping Bolt-Down Cover - Water	Black/Black	56	14.6	20PR
318BC	13" x 20" Jumbo Box, Overlapping Cover - ICV	Green/Green	56	14.6	20PR
318BCB	13" x 20" Jumbo Corrugated Box, Overlapping Bolt-Down Cover - ICV	Black/Green	56	14.6	20PR
318BCBRBLK	13" x 20" Jumbo Corrugated Box, Overlapping Bolt-Down Cover - Reclaimed Water	Black/Black	56	14.6	20PR
318BCBRG	13" x 20" Jumbo Corrugated Box, Overlapping Bolt-Down Cover - Reclaimed Water	Green/Green	56	14.6	20PR
318BCBS	13" x 20" Jumbo Corrugated Box, Overlapping Bolt-Down Cover - Sewer	Green/Green	56	14.6	20PR
318BCBSAND	13" x 20" Jumbo Corrugated Box, Overlapping Bolt-Down Cover - ICV	Sand/Sand	56	14.6	20PR
318PBCBR	13" x 20" Jumbo Corrugated Box, Overlapping Bolt-Down Cover Reclaimed Water	Purple/Purple	56	10.7	20PR
318PBCR	13" x 20" Jumbo Box, Overlapping Cover - Reclaimed Water	Purple/Purple	56	14.6	20PR
<b>Cover Only</b>					
317C	13" x 20" Overlapping Cover - ICV	Green	180	5.1	20PR
317C BLK	13" x 20" Overlapping Cover - ICV	Black	180	5.1	20PR
317CR	13" x 20" Overlapping Cover - Reclaimed Water	Purple	180	5	20PR
317CS	13" x 20" Overlapping Cover - Sewer	Green	180	5.1	20PR
317CSAND	13" x 20" Overlapping Cover - ICV	Sand	180	5	20PR
317CW	13" x 20" Overlapping Cover - Water	Black	180	5.1	20PR
318CW	13" x 20" Overlapping Cover - Water	Green	180	5.1	20PR
<b>Box Only</b>					
318B	13" x 20" Jumbo Box	Green	56	9.2	20PR
318B BLK	13" x 20" Jumbo Box	Black	56	9.2	20PR
318PB	13" x 20" Jumbo Box	Purple	56	9.55	20PR
113BB	2-1/2" x 3/8" SS Bolt	Steel	n/a	0.1	20NM



**NDS PRO-SPEC™ SERIES VALVE BOXES – NEXT-GENERATION COMMERCIAL GRADE**

**NDS Pro-Spec™ 13" x 24" Rectangular Valve Boxes**

**Specifications:** The NDS Pro-Spec™ 13" x 24" body is tapered and has a minimum wall thickness of 0.270". The body has a double wall at the top cover seat area with a minimum thickness of 0.270". The cover seat area has 18 structural support ribs on the underside of the seat, each with a minimum thickness of 0.250". The bottom of the body has a 1.000" flange. The 13" x 24" cover has an average thickness of 0.320". The valve box has a 3/8" Brass nut for the bolt-down as a standard feature.

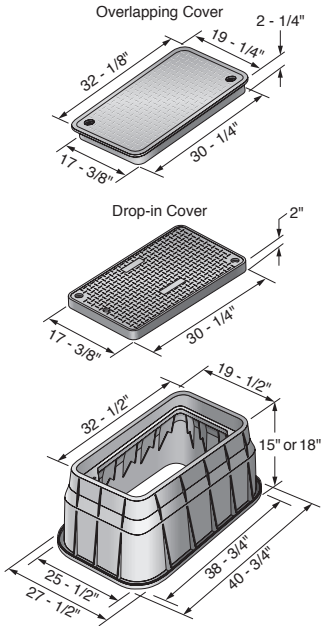


Part No.	Description	Color (Box/Cover)	Pallet Qty.	Weight Ea. (lbs.)	Product Class
<b>Box &amp; Cover</b>					
321BCB	13" x 24" x 12" Box, Overlapping Bolt-Down Cover - ICV	Green/Green	12	24	20PR
321BCBS	13" x 24" x 12" Box, Overlapping Bolt-Down Cover - Sewer	Green/Green	12	24	20PR
321BCBW	13" x 24" x 12" Box, Overlapping Bolt-Down Cover - Water	Green/Green	12	24	20PR
322BCB	13" x 24" x 15" Box, Overlapping Bolt-Down Cover - ICV	Green/Green	12	24	20PR
322PBCBR	13" x 24" x 12" Box, Overlapping Bolt-Down Cover - Reclaimed Water	Purple/Purple	12	24	20PR
325BCB	13" x 24" x 15" Box, Overlapping Bolt-Down Cover - ICV	Black/Green	12	24	20PR
<b>Cover Only</b>					
322C	13" x 24" Overlapping Cover - ICV	Green	125	7	20PR
322CS	13" x 24" Overlapping Cover - Sewer	Green	125	7	20PR
<b>Box Only</b>					
321B	13" x 24" x 12" Box	Green	12	19	20PR
322B	13" x 24" x 15" Box	Green	12	19	20PR
325B	13" x 24" x 15" Box	Black	12	19	20PR
121BB	3/8" x 3" SS Bolt	Steel	n/a	0.1	20NM

## NDS PRO-SPEC™ SERIES VALVE BOXES – NEXT-GENERATION COMMERCIAL GRADE

### NDS Pro-Spec™ 17" x 30" Rectangular Valve Boxes

**Specifications:** The NDS Pro-Spec™ 17" x 30" body is tapered and has a minimum wall thickness of 0.320". The body has a double wall at the top cover seat area with a minimum thickness of 0.320". The cover seat area has 20 structural support ribs on the underside of the seat, each with a minimum thickness of 0.250". The bottom of the body has a 1.000" flange. The 17" x 30" cover has an average thickness of 0.350". The valve box shall have a 3/8" Brass nut for the bolt-down as a standard feature.



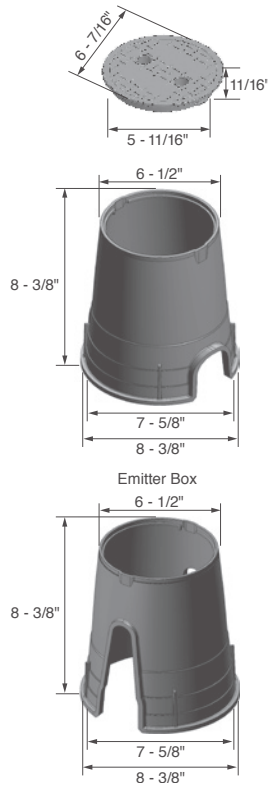
Part No.	Description	Color (Box/Cover)	Pallet Qty.	Weight Ea. (lbs.)	Product Class
<b>Box &amp; Cover</b>					
324BCB	17" x 30" x 15" Box, Overlapping Bolt-Down Cover - ICV	Green/Green	6	28	20PR
324BCB-BG	17" x 30" x 15" Box, Overlapping Bolt-Down Cover - ICV	Black/Green	6	28	20ND
324BCBS	17" x 30" x 15" Box, Overlapping Bolt-Down Cover - Sewer	Green/Green	6	28	20PR
324BCDB	17" x 30" x 15" Box, Drop-in Bolt-Down Cover - ICV	Green/Green	6	28	20PR
326BCB	17" x 30" x 18" Box, Overlapping Bolt-Down Cover - ICV	Green/Green	6	39.3	20PR
326BCB-BG	17" x 30" x 18" Box, Overlapping Bolt-Down Cover - ICV	Black/Green	6	41.2	20ND
326BCDB	17" x 30" x 18" Box, Drop-in Bolt-Down Cover - ICV	Green/Green	6	37	20PR
326BCDB ELEC	17" x 30" x 18" Box, Drop-in Cover - Electric	Gray/Gray	6	37.05	20PR
326BCDB-BG	17" x 30" x 18" Box, Drop-in Bolt-Down Cover - ICV	Black/Green	6	37	20ND
326BCDBW	17" x 30" x 18" Box, Drop-in Bolt-Down Cover - Water	Black/Black	6	37	20ND
326PBCBR	17" x 30" x 18" Box, Overlapping Cover - Reclaimed Water	Purple/Purple	6	38	20PR
<b>Cover Only</b>					
323C	17" x 30" Overlapping Cover - ICV	Green	75	11	20PR
323CD	17" x 30" Drop-in Cover - ICV	Green	75	11	20PR
323CD ELEC	17" x 30" Drop-in Cover - Electric	Gray	75	11	20PR
323CDW	17" x 30" Drop-in Cover - Water	Black	75	11	20PR
323CR	17" x 30" Overlapping Cover - Reclaimed Water	Purple	75	11	20PR
323CS	17" x 30" Overlapping Cover - Sewer	Green	75	11	20PR
<b>Box Only</b>					
324B	17" x 30" x 15" Box	Green	6	20	20NM
324B BLK	17" x 30" x 15" Box	Black	6	20	20NM
326B	17" x 30" x 18" Box	Green	6	23	20NM
326B BLK	17" x 30" x 18" Box	Black	6	23	20NM



## NDS STANDARD SERIES VALVE BOXES – RESIDENTIAL/COMMERCIAL GRADE

### NDS Standard Series 6" Round Valve Boxes

**Specifications:** The NDS Standard Series 6" round body is tapered and has a minimum wall thickness of 0.200". The body has a double wall at the top cover seat area with a minimum thickness of 0.130". The bottom of the body has a 0.250" flange. The 6" round cover has an average thickness of 0.187".



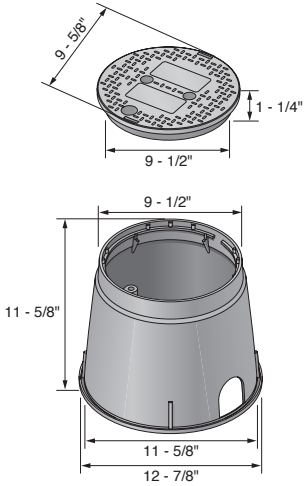
Part No.	Description	Color (Box/Cover)	Pallet Qty.	Weight Ea. (lbs.)	Product Class
<b>Box &amp; Cover</b>					
107BC	6" Round Box, Round Overlapping Cover - ICV	Black/Green	250	1.5	20ND
107BC BLK	6" Round Box, Round Overlapping Cover - ICV	Black/Black	250	1.5	20ND
107BC SAND	6" Round Box, Round Overlapping Cover - ICV	Sand/Sand	250	1.5	20ND
107BC SLV	6" Round Box, Round Overlapping Cover - ICV - 20 per sleeve	Black/Green	400	1.5	20ND
107BCH	6" Round Snap-in Valve Box, Round Snap-in Overlapping Cover - ICV	Black/Green	250	1.5	20ND
107BCR	6" Round Box, Round Overlapping Cover - Reclaimed Water	Black/Purple	250	1.5	20ND
107BCR BLK	6" Round Box, Round Overlapping Cover - Reclaimed Water	Black/Black	250	1.5	20ND
107BCS	6" Round Box, Round Overlapping Cover - Sewer	Black/Green	250	1.5	20NM
107BCW	6" Round Box, Round Overlapping Solid Plastic Cover - Water	Black/Green	250	1.5	20NM
107EBC	6" Round Emitter Box, Round Overlapping Cover - Emitter Box	Black/Green	250	1.5	20ND
107PBCR	6" Round Box, Round Overlapping Cover - Reclaimed Water	Purple/Purple	250	1.5	20ND
108BC	6" Round Box, Round Overlapping Cover - ICV	Green/Green	250	1.5	20ND
108BCS	6" Round Box, Round Overlapping Cover - Sewer	Green/Green	250	1.5	20ND
108BCW	6" Round Box, Round Overlapping Cover - Water	Green/Green	250	1.5	20ND
<b>Cover Only</b>					
107C	6" Round Overlapping Cover - ICV	Green	800	0.36	20ND
107C BLK	6" Round Cover ICV	Black	250	1.5	20ND
107C BRN	6" Round Cover ICV	Brown	250	1.5	20ND
107C SAND	6" Round Overlapping Cover - ICV	Sand	800	0.4	20ND
107CH	6" Round Snap-in Overlapping Cover - ICV	Green	1200	0.35	20ND
107CR	6" Round Overlapping Cover - Reclaimed Water	Purple	800	0.4	20ND
107CS	6" Round Overlapping Cover - Sewer	Green	800	0.4	20NM
107CW	6" Round Overlapping Cover - Water	Green	800	0.4	20NM
<b>Box Only</b>					
106B	6" Round Snap-in Valve Box	Black	250	0.9	20ND
107B	6" Round Box	Black	250	1.23	20ND
108B	6" Round Box	Green	250	1.23	20ND

VALVE BOXES

## NDS STANDARD SERIES VALVE BOXES – RESIDENTIAL/COMMERCIAL GRADE

### NDS Standard Series 10" Round Valve Boxes

**Specifications:** The NDS Standard Series 10" round body is tapered and has a minimum wall thickness of 0.200". The cover seat area has 6 structural support ribs on the underside of the seat, each with a minimum thickness of 0.250". The bottom of the body has a 0.500" flange. The 10" round cover has an average thickness of 0.250". The valve box has a 5/16" Brass nut for the bolt-down as a standard feature.



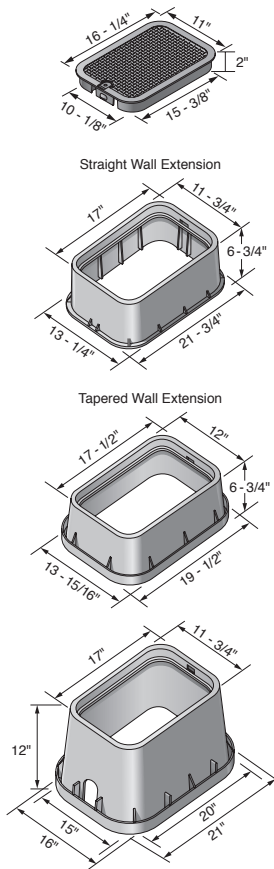
Part No.	Description	Color (Box/Cover)	Pallet Qty.	Weight Ea. (lbs.)	Product Class
<b>Box &amp; Cover</b>					
111BC	10" Round Box, Round Overlapping Cover - ICV	Black/Green	180	3	20ND
111BC BLK	10" Round Box, Round Overlapping Cover - ICV	Black/Black	180	3	20ND
111BC CTN	10" Round Box, Round Overlapping Cover - ICV - 4 per carton	Black/Green	72	3.9	20ND
111BC SAND	10" Round Box, Round Overlapping Cover - ICV	Sand/Sand	180	3.2	20ND
111BCB	10" Round Box, Round Overlapping Bolt-Down Cover - ICV	Black/Green	180	3	20ND
111BCBW	10" Round Box, Round Overlapping Bolt-Down Cover - Water	Black/Black	180	3	20NM
111BCR	10" Round Box, Round Overlapping Cover - Reclaimed Water	Black/Purple	180	3	20ND
111BCR BLK	10" Round Box, Round Overlapping Cover - Reclaimed Water	Black/Black	180	3	20ND
111BCS	10" Round Box, Round Overlapping Cover - Sewer	Black/Green	180	3	20NM
111BCW	10" Round Box, Round Overlapping Cover - Water	Black/Green	180	3	20NM
111PBCR	10" Round Box, Round Overlapping Cover - Reclaimed Water	Purple/Purple	180	3	20ND
112BC	10" Round Box, Round Overlapping Cover - ICV	Green/Green	180	3	20ND
112BCB	10" Round Box, Round Overlapping Bolt-Down Cover - ICV	Green/Green	180	3	20ND
112BCRG	10" Round Box, Round Overlapping Cover - Reclaimed Water	Green/Green	180	3	20ND
112BCS	10" Round Box, Round Overlapping Cover - Sewer	Green/Green	180	3.9	20NM
<b>Cover Only</b>					
111C	10" Round Overlapping Cover - ICV	Green	300	0.95	20ND
111C BLK	10" Round Overlapping Cover - ICV	Black	300	0.95	20ND
111C BRN	10" Round Overlapping Cover - ICV	Brown	300	0.95	20ND
111C SAND	10" Round Overlapping Cover - ICV	Sand	300	0.95	20ND
111CR	10" Round Overlapping Cover - Reclaimed Water	Purple	300	1	20ND
111CS	10" Round Overlapping Cover - Sewer	Green	300	1	20NM
111CW BLK	10" Round Overlapping Cover - Water	Black	300	0.95	20ND
111CW	10" Round Overlapping Cover - Water	Green	300	1	20NM
<b>Box Only</b>					
111B	10" Round Box	Black	180	2	20NM
111BB	1-3/4" x 5/16" SS Bolt	Steel	n/a	0.05	20ND
112B	10" Round Box	Green	300	2	20ND



## NDS STANDARD SERIES VALVE BOXES – RESIDENTIAL/COMMERCIAL GRADE

### NDS Standard Series 14" x 19" Rectangular Valve Boxes

**Specifications:** The NDS Standard Series 14" x 19" body is tapered and has a minimum wall thickness of 0.200". The body has a double wall at the top cover seat area with a minimum thickness of 0.250". The cover seat area has 16 structural support ribs on the underside of the seat, each with a minimum thickness of 0.250". The bottom of the body has a 0.500" flange. The 14" x 19" cover has an average thickness of 0.250". The valve box has a 3/8" Brass nut for the bolt-down as a standard feature



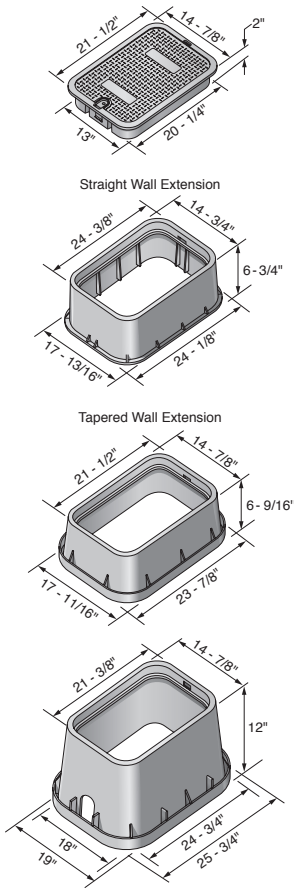
Part No.	Description	Color (Box/Cover)	Pallet Qty.	Weight Ea. (lbs.)	Product Class
<b>Box &amp; Cover</b>					
115	14" x 19" x 6" Extension, Overlapping Cover - ICV	Black/Green	49	16.16	20ND
116	14" x 19" x 6" Extension, Overlapping Cover - ICV	Green/Green	49	6.16	20ND
113BC	14" x 19" Box, Overlapping Cover - ICV	Black/Green	78	9.1	20ND
113BC SAND	14" x 19" Box, Overlapping Cover - ICV	Sand/Sand	78	9.25	20ND
113BCBLK	14" x 19" Box, Overlapping Cover - ICV	Black/Black	78	9.1	20ND
113BCD	14" x 19" Box, Drop-in Cover - ICV	Black/Green	78	8	20ND
113BCE	14" x 19" Box, Overlapping Cover - Electrical	Black/Green	78	9.32	20NM
113BCR	14" x 19" Box, Overlapping Cover - Reclaimed Water	Black/Purple	78	9.1	20ND
113BCRBLK	14" x 19" Box, Overlapping Cover - Reclaimed Water	Black/Black	78	9.1	20ND
113BCS	14" x 19" Box, Overlapping Cover - Sewer	Black/Green	78	9.1	20ND
113BCW	14" x 19" Box, Overlapping Cover - Water	Black/Black	78	9.32	20NM
113BCWG	14" x 19" Box, Overlapping Cover - Water	Black/Green	78	9.1	20ND
113PBCR	14" x 19" Box, Overlapping Cover - Reclaimed Water	Purple/Purple	78	9.29	20ND
114BC	14" x 19" Box, Overlapping Cover - ICV	Green/Green	78	9.95	20ND
114BCS	14" x 19" Box, Overlapping Cover - Sewer	Green/Green	78	9.95	20NM
114BCW	14" x 19" Box, Overlapping Cover - Water	Green/Green	78	9.95	20NM
115BCR	14" x 19" x 6" Box, Overlapping Cover - ICV	Black/Purple	42	7.29	20ND
115TBC	14" x 19" x 6" Tapered Box, Overlapping Cover - ICV	Black/Green	96	6	20ND
115TBCR	14" x 19" x 6" Tapered Box, Overlapping Cover - Reclaimed Water	Black/Purple	96	5.7	20ND
116-SAND	14" x 19" x 6" Extension, Overlapping Cover - ICV	Sand/Sand	49	6	20ND
116TBC	14" x 19" x 6" Tapered Box, Overlapping Cover - ICV	Green/Green	96	5.55	20ND
116TBC SAND	14" x 19" x 6" Tapered Box, Overlapping Cover - ICV	Sand/Sand	96	6.16	20ND
<b>Cover Only</b>					
113C	14" x 19" Overlapping Cover - ICV	Green	300	2	20ND
113C BRN	14" x 19" Overlapping Cover - ICV	Brown	300	2	20ND
113C SAND	14" x 19" Overlapping Cover - ICV	Sand	300	2	20ND
113CB	14" x 19" Overlapping Cover - ICV	Black	300	2	20ND
113CE	14" x 19" Overlapping Cover - Electrical	Green	300	2.3	20NM
113CR	14" x 19" Overlapping Cover - Reclaimed Water	Purple	300	2.5	20ND
113CRG	14" x 19" Overlapping Cover - Reclaimed Water	Green	300	2	20ND
113CS	14" x 19" Overlapping Cover - Sewer	Green	300	2	20ND
113CW	14" x 19" Overlapping Cover - Water	Black	300	2	20ND
114CW	14" x 19" Overlapping Cover - Water	Green	300	2	20ND
<b>Box Only</b>					
113-6	14" x 19" x 6" Extension	Black	49	4.1	20ND
113B	14" x 19" Box	Black	78	6.03	20NM
114-6	14" x 19" x 6" Rectangular Extension	Green	49	3.86	20ND
114B	14" x 19" Box	Green	78	6.1	20ND
113BB	2-1/2" x 3/8" SS Bolt	Steel	n/a	0.1	20NM

VALVE BOXES

## NDS STANDARD SERIES VALVE BOXES – RESIDENTIAL/COMMERCIAL GRADE

### NDS Standard Series 13" x 20" Rectangular Valve Boxes

**Specifications:** The NDS Standard Series 13" x 20" body is tapered and has a minimum wall thickness of 0.250". The body has a double wall at the top cover seat area with a minimum thickness of 0.250". The cover seat area has 16 structural support ribs on the underside of the seat, each with a minimum thickness of 0.250". The bottom of the body has a 0.500" flange. The 13" x 20" cover has an average thickness of 0.250". The valve box has a 3/8" Brass nut for the bolt-down as a standard feature.



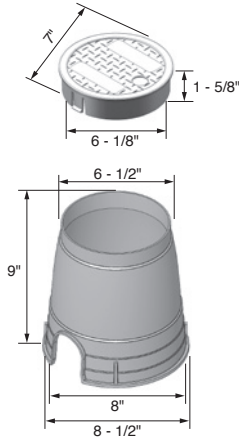
Part No.	Description	Color (Box/Cover)	Pallet Qty.	Weight Ea. (lbs.)	Product Class
<b>Box &amp; Cover</b>					
119	13" x 20" x 6" Jumbo Extension, Overlapping Cover - ICV	Black/Green	32	12	20ND
120	13" x 20" x 6" Jumbo Extension, Overlapping Cover - ICV	Green/Green	32	12	20ND
117BC	13" x 20" Jumbo Box, Overlapping Cover - ICV	Black/Green	56	14	20ND
117BC BLK	13" x 20" Jumbo Box, Overlapping Cover - ICV	Black/Black	56	14	20ND
117BC SAND	13" x 20" Jumbo Box, Overlapping Cover - ICV	Sand/Sand	56	14	20ND
117BCD	13" x 20" Jumbo Box, Drop-in Cover - ICV	Black/Green	56	14	20ND
117BCR	13" x 20" Jumbo Box, Overlapping Cover - Reclaimed Water	Black/Black	56	14	20ND
117BCS	13" x 20" Jumbo Box, Overlapping Cover - Sewer	Black/Green	56	14	20NM
117BCW	13" x 20" Jumbo Box, Overlapping Cover - Water	Black/Black	56	14	20ND
117PBCR	13" x 20" Jumbo Box, Overlapping Cover - Reclaimed Water	Purple/Purple	56	14	20ND
118BC	13" x 20" Jumbo Box, Overlapping Cover - ICV	Green/Green	56	14	20ND
118BCS	13" x 20" Jumbo Box, Overlapping Cover - Sewer	Green/Green	56	14	20ND
119 SAND	13" x 20" x 6" Jumbo Extension, Overlapping Cover - ICV	Sand/Sand	32	10.95	20ND
119TBC	13" x 20" x 6" Tapered Box, Overlapping Cover - ICV	Black/Green	56	11.15	20ND
119TBCR	13" x 20" Tapered Box, Overlapping Cover - Reclaimed Water	Black/Purple	56	11.15	20ND
<b>Cover Only</b>					
117C	13" x 20" Overlapping Cover - ICV	Green	180	5.3	20ND
117C BRN	13" x 20" Overlapping Cover - ICV	Brown	180	5.3	20ND
117C SAND	13" x 20" Overlapping Cover - ICV	Sand	180	5	20ND
117CB	13" x 20" Overlapping Cover - ICV	Black	180	5.3	20ND
117CR	13" x 20" Overlapping Cover - Reclaimed Water	Purple	180	5.3	20ND
117CS	13" x 20" Jumbo Overlapping Cover - Sewer	Green	180	5	20NM
117CW	13" x 20" Overlapping Cover - Water	Black	180	5.3	20ND
<b>Box Only</b>					
117-6	13" x 20" x 6" Jumbo Extension	Black	32	6.88	20ND
117B	13" x 20" Jumbo Box	Black	56	9.65	20NM
118-6	13" x 20" x 6" Jumbo Extension	Green	32	6.88	20ND
113BB	2-1/2" x 3/8" SS Bolt	Steel	n/a	0.1	20NM



## NDS STANDARD SERIES VALVE BOXES – RESIDENTIAL GRADE

### NDS 6" Round Valve Boxes

**Specifications:** NDS 6" round body is tapered and has a minimum wall thickness of 0.130". The body has a double wall at the top cover seat area with a minimum thickness of 0.125". The bottom of the body has a 0.250" flange. The 6" round cover has an average thickness of 0.150".



Part No.	Description	Color (Box/Cover)	Pallet Qty.	Weight Ea. (lbs.)	Product Class
<b>Box &amp; Cover</b>					
D108-G	6" Valve Box and Overlapping Cover - ICV	Green/Green	600	1.2	20ND
D109-G	6" Round Box, 6" Round Cover - ICV	Black/Green	600	1.2	20ND
D109-P	6" Round Box, 6" Round Cover - Reclaimed Water	Black/Purple	600	1.21	20ND
D109-GBOX	6" Round Box, 6" Round Cover - ICV	Black/Green	36 Box/ 900 Pal.	1.2	20ND
<b>Cover Only</b>					
D109-GL	6" Round Cover - ICV	Green	600	0.4	20ND
D109-PL	6" Round Cover - Reclaimed Water	Purple	600	0.4	20ND

### NDS SureFit™ Universal Lids

If you've ever had to find a replacement lid for a round valve box, you know it's not easy. Different brands design their boxes with different dimensions, so a lid that works for one brand may not fit another. NDS SureFit™ Universal Lids are engineered to fit valve round boxes from a variety of manufacturers. Now it is easier to replace broken, missing, or misshapen lids with a proper fit. The SureFit Universal Lid is available in two sizes: one size fits 6" and 7" round valve boxes and the other size fits 10" round valve boxes.

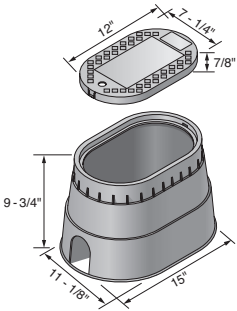


Part No.	Description	Color	Order Qty.	Weight Ea. (lbs.)	Product Class
6RND-UC	Universal Fit for 6" and 7" Round	Green	16	.4	20ND
10RND-UC	Universal Fit for 10" Round	Green	14	.9	20ND

## NDS STANDARD SERIES VALVE BOXES – RESIDENTIAL GRADE

### NDS 8" x 12" Oval Valve Boxes

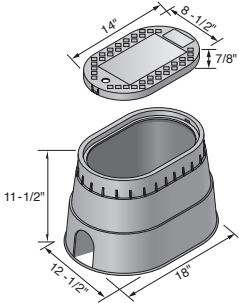
**Specifications:** NDS 8" x 12" body is tapered and has a minimum wall thickness of 0.187". The body has a double wall at the top cover seat area with a minimum thickness of 0.200". The cover seat area has 10 structural support ribs on the underside of the seat, each with a minimum thickness of 0.150". The bottom of the body has a 0.375" flange. The 8" x 12" cover shall have an average thickness of 0.150".



Part No.	Description	Color (Box/Cover)	Pallet Qty.	Weight Ea. (lbs.)	Product Class
<b>Box &amp; Cover</b>					
M2-SG	8" x 12" Box, Drop-in Cover - Control Valve	Black/Green	132	4	20ND
<b>Cover Only</b>					
M2-SG-LID	8" x 12", Drop-in Cover	Green	132	0.719	20ND

### NDS 8" x 14" Oval Valve Boxes

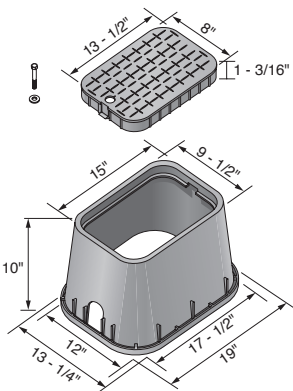
**Specifications:** NDS 8" x 14" body is tapered and has a minimum wall thickness of 0.187". The body has a double wall at the top cover seat area with a minimum thickness of 0.200". The cover seat area has 10 structural support ribs on the underside of the seat, each with a minimum thickness of 0.150". The bottom of the body has a 0.375" flange. The 8" x 14" cover has an average thickness of 0.150".



Part No.	Description	Color (Box/Cover)	Pallet Qty.	Weight Ea. (lbs.)	Product Class
<b>Box &amp; Cover</b>					
M4-SG	8" x 14" Box, Drop-in Cover - Control Valve	Black/Green	96	4.6	20ND

### NDS 10" x 15" Rectangular Valve Boxes

**Specifications:** NDS 10" x 15" x 10" body is tapered and has a minimum wall thickness of 0.130". The body has a double wall at the top cover seat area with a minimum thickness of 0.200". The cover seat area has 12 structural support ribs on the underside of the seat, each with a minimum thickness of 0.130". The bottom of the body has a 0.750" flange. The D1000 cover has an average thickness of 0.187". NDS D1000 valve boxes and covers are injection molded of structural foam recycled polyolefin material with a melt index between 10-12. Coloring and UV stabilizers are added, along with processing lubricants when needed.



Part No.	Description	Color (Box/Cover)	Pallet Qty.	Weight Ea. (lbs.)	Product Class
<b>Box &amp; Cover</b>					
D1000-SG	10" x 15" x 10" Box, Drop-in Cover - Valve Box	Black/Green	96	4.8	20ND
<b>Cover Only</b>					
D1000-SGL	10" x 15" Drop-in Cover - Valve Box	Green	360	1.4	20ND
<b>Box Only</b>					
D1000-B/O	10" x 15" x 10" Box	Black	96	3.4	20ME

## VALVE BOXES PRODUCTS INDEX

Part No.	Page	Part No.	Page	Part No.	Page	Part No.	Page	Part No.	Page
106B	195	113BCD	197	121BB	193	314PBCR	191	D109-GBOX	199
107B	195	113BCE	197	311B	190	317BCB	192	D109-GL	199
107BC	195	113BCR	197	311BC	190	317BCBBLK	192	D109-P	199
107BC BLK	195	113BCRBLK	197	311BCB	190	317BCBW	192	D109-PL	199
107BCH	195	113BCS	197	311BCBLK	190	317C	192	D1000-B/O	200
107BCR	195	113BC SAND	197	311BCR	190	317C BLK	192	D1000-SG	200
107BCR BLK	195	113BCW	197	311BCS	190	317CR	192	D1000-SGL	200
107BCS	195	113BCWG	197	311C	190	317CS	192	M2-SG	199, 200
107BC SAND	195	113C	197	311C BLK	190	317CSAND	192	M2-SG-LID	200
107BC SLV	195	113CB	197	311C ELEC	190	317CW	192	M4-SG	200
107BCW	195	113C BRN	197	311CR	190	318B	192		
107C	195	113CE	197	311CRG	190	318B BLK	192		
107C BLK	195	113CR	197	311CS	190	318BC	192		
107C BRN	195	113CRG	197	311CSAND	190	318BCB	192		
107CH	195	113CS	197	311CW	190	318BCBRBLK	192		
107CR	195	113C SAND	197	312B	190	318BCBRG	192		
107CS	195	113CW	197	312BC	190	318BCBS	192		
107C SAND	195	113PBCR	197	312BCB	190	318BCBSAND	192		
107CW	195	114-6	197	312BCB ELEC	190	318CW	192		
107EBC	195	114B	197	312BCBS	190	318PB	192		
107PBCR	195	114BC	197	312BC ELEC	190	318PBCBR	192		
108B	195	114BCS	197	312BCRBLK	190	318PBCR	192		
108BC	195	114BCW	197	312BCRG	190	321B	193		
108BCS	195	114CW	197	312BCS	190	321BCB	193		
108BCW	195	115	197	312BCSAND	190	321BCBS	193		
111B	196	115BCR	197	312BCW	190	321BCBW	193		
111BB	196	115TBC	197	312PB	190	322B	193		
111BC	196	116	197	312PBCBR	190	322BCB	193		
111BCB	196	116-SAND	197	312PBCR	190	322C	193		
111BC BLK	196	116TBC	197	313BC	191	322CS	193		
111BCBW	196	116TBC SAND	197	313CB	191	322PBCBR	193		
111BC CTN	196	117-6	198	313CBBLK	191	323C	194		
111BCR	196	117B	198	313BCBR	191	323CD	194		
111BCR BLK	196	117BC	198	313BCBRBLK	191	323CD ELEC	194		
111BCS	196	117BC BLK	198	313BCBWBLK	191	323CDW	194		
111BC SAND	196	117BCD	198	313C	191	323CR	194		
111BCW	196	117BCR	198	313CBLK	191	323CS	194		
111C	196	117BCS	198	313C ELEC	191	324B	194		
111C BLK	196	117BC SAND	198	313CG ELEC	191	324B BLK	194		
111C BRN	196	117BCW	198	313CR	191	324BCB	194		
111CR	196	117C	198	313CRBLK	191	324BCB-BG	194		
111CS	196	117CB	198	313CRG	191	324BCBS	194		
111C SAND	196	117C BRN	198	313CSAND	191	324BCDB	194		
111CW	196	117CR	198	313CW	191	325B	193		
111CW BLK	196	117CS	198	314B	191	325BCB	193		
111PBCR	196	117C SAND	198	314BBLK	191	326B	194		
112B	196	117CW	198	314BCB	191	326B BLK	194		
112BC	196	117PBCR	198	314BCB ELEC	191	326BCB	194		
112BCB	196	118-6	198	314BCBRG	191	326BCB-BG	194		
112BCRG	196	118BC	198	314BCBS	191	326BCDB	194		
112BCS	196	118BCS	198	314BCBSAND	191	326BCDB-BG	194		
113-6	197	119	198	314BCBW	191	326BCDB ELEC	194		
113B	197	119 SAND	198	314BCSAND	191	326BCDBW	194		
113BB 190, 191, 192, 197, 198		119TBC	198	314CS	191	326PBCBR	194		
113BC	197	119TBCR	198	314CW	191	D108-G	199		
113BCBLK	197	120	198	314PBCBR	191	D109-G	199		

## NDS AUTOMATIC METER READER (AMR) BOXES – STANDARD COMMERCIAL GRADE



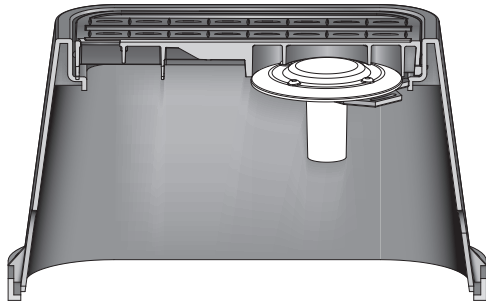
Superior signal transmission versus products made of concrete materials or cast iron.

Lighter weight material eases installation and lowers freight and handling costs.

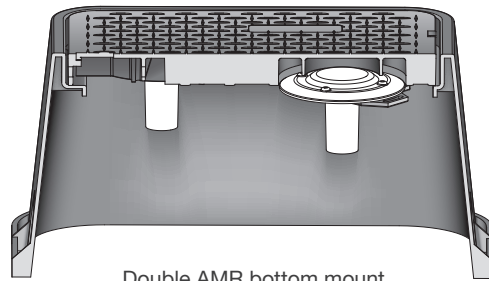
Designed specifically for the Automatic Meter reading industry, the newest line of AMR boxes builds on the NDS tradition of strength, durability and value. Like our current automatic Meter Reading products, this new line of AMR boxes and covers are injection-molded of polyolefins and contain UV inhibitors to prevent discoloration and cracking.

### Bottom Mounts

- Concealed antennae are completely protected from landscape equipment damage and are less likely to draw attention from vandals
- Exceptional antennae signal transmissions
- Offset cavities eliminate the physical interference between antennae and meter
- Bracket accommodates a majority of the industry antennae



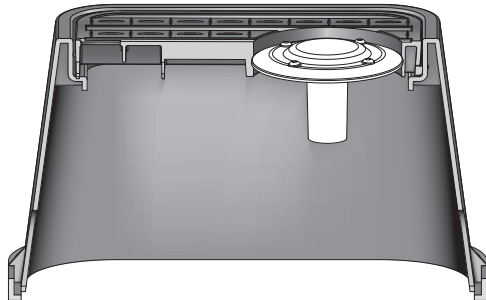
Single AMR bottom mount  
(pre-assembled bracket)



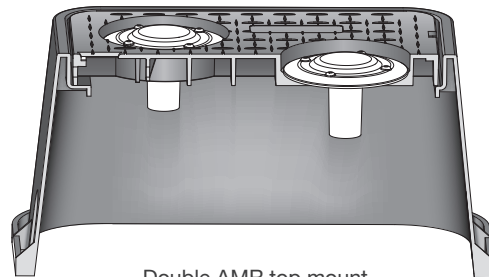
Double AMR bottom mount  
(pre-assembled bracket)

### Top Mounts

- Recess reduces the probability of damage caused by landscape equipment and vandals
- Offset recesses eliminate the physical interference between the antennae and meter
- Recess and holes accommodate most of the industry antennae
- Compatible with many of the industry Touch Read antennae



Single AMR top mount



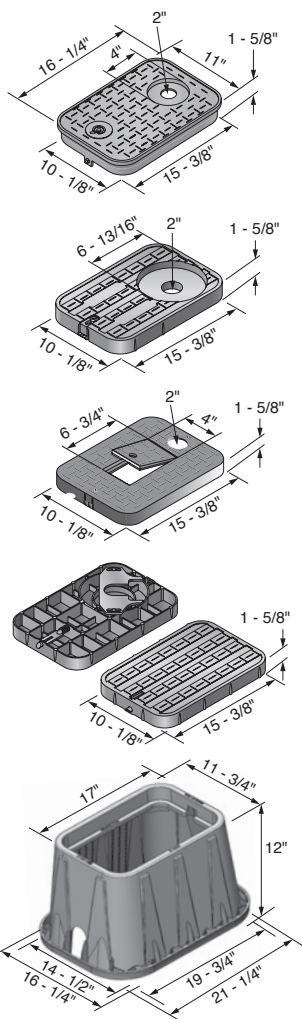
Double AMR top mount



## NDS AUTOMATIC METER READER (AMR) BOXES – STANDARD COMMERCIAL GRADE

### NDS 14" x 19" AMR Meter Boxes & Covers

**Specifications:** NDS 14" x 19" AMR meter boxes and covers are injection molded of structural foam recycled polyolefin material with a melt index between 10-12. Coloring and UV stabilizers are added, along with processing lubricants when needed. NDS 14" x 19" x 12" body is tapered and has a minimum wall thickness of 0.250". The body has a double wall at the top cover seat area with a minimum thickness of 0.187". The cover seat area has 30 structural support ribs on the underside of the seat, each with a minimum thickness of 3/16". The bottom of the body has a 1" flange. The 14" x 19" cover has a minimum thickness of 0.250".



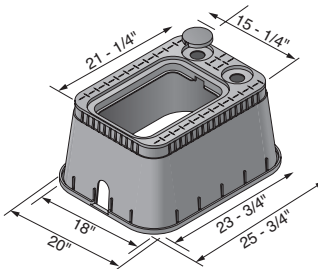
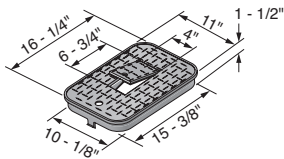
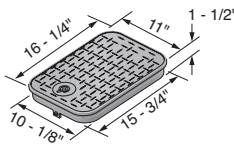
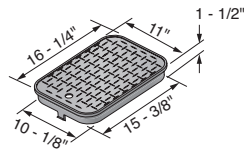
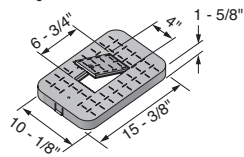
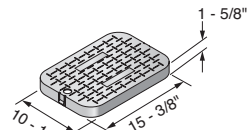
2-1/2" x 3-1/4" Pipe Slots

Part No.	Description - Marking	Color (Box/Cover)	Pallet Qty.	Wt. Ea. lbs.	Product Class
<b>Drop-in Box &amp; Cover</b>					
D12-BAMR	14" x 19" x 12" Box, Drop-in Locking Solid Plastic, Single Bottom Mount AMR Bracket Cover - Water Meter	Black/Black	72	8.90	20ME
D12-TAMR	14" x 19" x 12" Box, Drop-in Locking Solid Plastic, Single 2" AMR/TR Hole w/ 7" Top Recess Cover - Water Meter	Black/Black	72	9.22	20ME
D1200-DITR	14" x 19" x 12" Box, Drop-in Solid Plastic, Single 2" AMR/TR Hole Cover - Water Meter	Black/Black	72	9.00	20ME
<b>Drop-in Cover Only</b>					
D12-BAMRL	14" x 19" Drop-in Locking Solid Plastic, Single Bottom Mount AMR Bracket Cover - Water Meter	Black	100	2.10	20ME
D12-TAMRL	14" x 19" Drop-in Locking Solid Plastic, Single 2" AMR/TR Hole w/ 7" Top Recess Cover - Water Meter	Black	100	2.42	20ME
D1200-DITRL	14" x 19" Drop-in Solid Plastic, Single 2" AMR/TR Hole Cover - Water Meter	Black	100	2.20	20ME
<b>Overlapping Cover Only</b>					
D12AMR-OLLOCL	14" x 19" Overlapping Solid Plastic, Single 4" Top Recess Cover - Water Meter	Black	100	2.80	20ME
D12AMR-OLLOCTRL	14" x 19" Overlapping Solid Plastic, Single 2" AMR/TR Hole w/ 4" Top Recess Cover - Water Meter	Black	100	2.80	20ME
D12AMR-OLLOCTRBLUL	14" x 19" Blue Overlapping Solid Plastic, Single 2" AMR/TR Hole w/ 4" Top Recess Cover - Water Meter	Blue	100	2.80	20ME
<b>Box Only</b>					
D1200-B/O	14" x 19" x 12" Box	Black	72	6.80	20ME
D600E-EXT	14" x 19" x 6" Extension	Black	42	4.20	20ME
D1800-B/O	14" x 19" x 18" Box	Black	48	10.00	20ME

# NDS AUTOMATIC METER READER (AMR) BOXES – STANDARD COMMERCIAL GRADE

## NDS 13" x 20" AMR Boxes & Covers

**Specifications:** NDS 13" x 20" AMR meter boxes and covers are injection molded of structural foam recycled polyolefin material with a melt index between 10-12. Coloring and UV stabilizers are added, along with processing lubricants when needed. The 13" x 20" body is tapered and has a minimum wall thickness of 0.250". The body has a double wall at the top cover seat area with a minimum thickness of 0.187". The cover seat area has 30 structural support ribs on the underside of the seat, each with a minimum thickness of 3/16". The bottom of the body has a 1" flange. The 14" x 19" cover has an average thickness of 0.250".



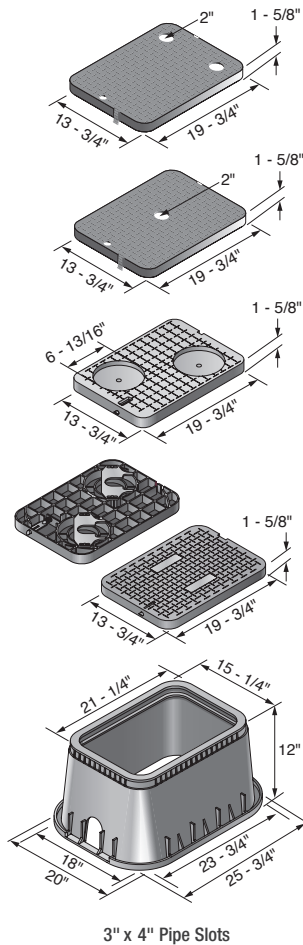
2-1/2" x 3-1/4" Pipe Slots

Part No.	Description - Marking	Color (Box/Cover)	Pallet Qty.	Wt. Ea. lbs.	Product Class
<b>Drop-in Box &amp; Cover</b>					
D15AMR2-DI	13" x 20" x 12" Jumbo AMR Box, Drop-in Solid Plastic Cover - Water Meter	Black/Black	48	16.20	20ME
D1200-DICIRBLU	12" x 17" Box with Drop-in Plastic Cover with cast Iron Meter Reader	Black/Blue	72	10.20	20ME
<b>Drop-in Cover Only</b>					
D1200-DISBL	14" x 19" Drop-in Solid Plastic Cover - Water Meter	Black	216	2.20	20ME
D1200-DIRBL	14" x 19" Drop-in Meter Reader Plastic w/ Plastic Reader Cover - Water Meter	Black	216	2.20	20ME
D1200-DICIRLID	14" x 19" Drop-in Meter Reader Plastic w/ Cast Iron Reader Cover - Water Meter	Black	216	3.40	20ME
<b>Overlapping Cover Only</b>					
D1200-OLSBL	14" x 19" Overlapping Solid Plastic Cover - Water Meter	Black	216	2.40	20ME
D1200-OLLOCBLD	14" x 19" Overlapping Locking Solid Plastic Cover - Water Meter	Black	100	2.60	20ME
<b>Box Only</b>					
D15AMR2-B/O	13" x 20" x 12" Jumbo AMR Box with No Pipe Slots	Black	48	12.09	20ME
D15AMR2-DU B/O	13" x 20" x 12" Jumbo AMR Box with Dual Pipe Slots Reader End	Black	48	10.20	20ME
D15AMR2-PS B/O	Jumbo AMR Box with Pipe Slots	Black	48	10.20	20ME

## NDS AUTOMATIC METER READER (AMR) BOXES – STANDARD COMMERCIAL GRADE

### NDS 13" x 20" Jumbo Boxes & AMR Covers

**Specifications:** NDS 13" x 20" meter boxes and AMR covers are injection molded of structural foam recycled polyolefin material with a melt index between 10-12. Coloring and UV stabilizers are added, along with processing lubricants when needed. The 13" x 20" body is tapered and has a minimum wall thickness of 0.250". The body has a double wall at the top cover seat area with a minimum thickness of 0.187". The cover seat has 56 structural support ribs on the underside of the seat, each with a minimum thickness of 1/50". The bottom of the body has a 1" flange. The 13" x 20" cover has an average thickness of 0.25".

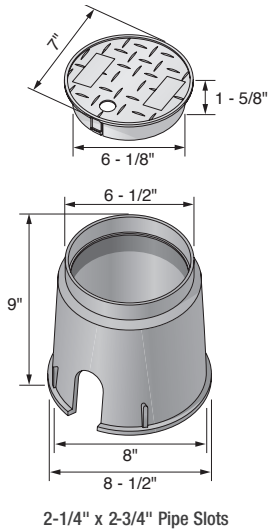


Part No.	Description - Marking	Color (Box/Cover)	Pallet Qty.	Wt. Ea. lbs.	Product Class
Drop-in Box & Cover					
D15-BAMR	13" x 20" x 12" Jumbo Box, Drop-in Locking Solid Plastic w/Double Bottom Mount AMR Brackets Cover - Water Meter	Black/Black	48	24.40	20ME
D15DU-BAMR	13" x 20" x 12" Dual Pipe Slot Box, Drop-in Locking Solid Plastic w/ Double Bottom Mount AMR Brackets Cover - Water Meter	Black/Black	48	23.91	20ME
D1500-DISBTR	13" x 20" x 12" Jumbo Box, Drop-in Solid Plastic w/ Single Custom AMR/TR Hole Cover - Water Meter	Black/Black	48	13.20	20ME
Drop-in Cover Only					
D15-BAMRL	13" x 20" Drop-in Locking Solid Plastic w/ Double Bottom Mount AMR Brackets Cover - Water Meter	Black	96	15.00	20ME
D15-BAMRLP-AM	13" x 20" x 12" Drop in Solid Plastic Cover - Reclaimed Water	Purple	96	15.00	20ME
Box Only					
D1500-B/O	13" x 20" x 12" Jumbo Box	Black	48	9.40	20ME
D1500-DUB/O	13" x 20" x 12" Dual Pipe Slot Box	Black	48	8.91	20ME
D750E-EXT	13" x 20" x 6" Extension	Black	36	5.60	20ME

## NDS METER BOXES – STANDARD COMMERCIAL GRADE

### NDS D109 Meter Boxes

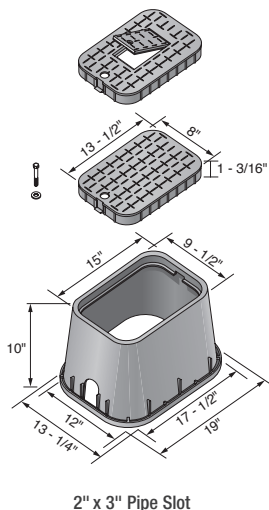
**Specifications:** NDS 6" round meter boxes and covers are injection molded of recycled polyolefin material with a melt index between 10-12. Coloring and UV stabilizers are added, along with processing lubricants when needed. The 6" round body is tapered and has a minimum wall thickness of 0.13". The body has a double wall at the top cover seat area with a minimum thickness of 0.125". The bottom of the body has a 0.250" flange. The 6" round cover has an average thickness of 0.15".



Part No.	Description - Marking	Color (Box/Cover)	Pallet Qty.	Wt. Ea. lbs.	Product Class
<b>Box &amp; Cover</b>					
D109-B	6" Round Box, Overlapping Solid Plastic Cover - Water Meter	Black/Black	900	1.21	20ME
D109-P	6" Round Box, Overlapping Solid Plastic Cover - Reclaimed Water	Purple/Purple	900	1.21	20ME
<b>Cover Only</b>					
D109-PL	6" Round Overlapping Solid Plastic Cover - Reclaimed Water	Purple	900	0.40	20ME

### NDS D1000 Meter Boxes

**Specifications:** NDS D1000 meter boxes and covers are injection molded of structural foam recycled polyolefin material with a melt index between 10-12. Coloring and UV stabilizers are added, along with processing lubricants when needed. NDS 10" x 15" x 10" body is tapered and has a minimum wall thickness of 0.13". The body has a double wall at the top cover seat area with a minimum thickness of 0.20". The cover seat area has 12 structural support ribs on the underside of the seat, each with a minimum thickness of 0.13". The bottom of the body has a 0.75" flange.



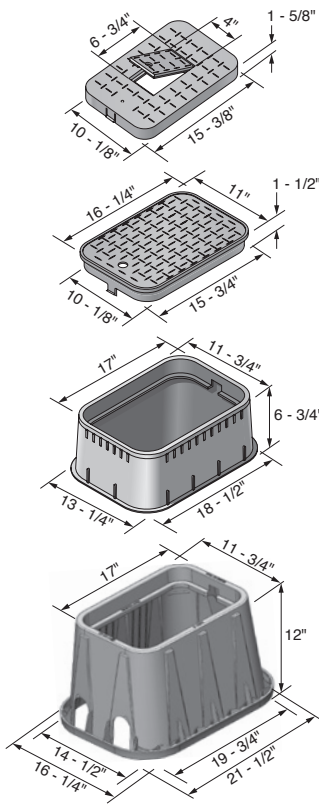
Part No.	Description - Marking	Color (Box/Cover)	Pallet Qty.	Wt. Ea. lbs.	Product Class
<b>Drop-in Box &amp; Cover</b>					
D1000-SB	10" x 15" x 10" Box, Drop-in Solid Plastic Cover - Water Meter	Black/Black	96	5	20ME
D1000-RB	10" x 15" x 10" Box, Drop-in Meter Reader Plastic w/ Plastic Reader Cover - Water Meter	Black/Black	96	5	20ME
<b>Drop-in Cover Only</b>					
D1000-SBL	10" x 15" Drop-in Meter Solid Plastic Cover - Water Meter	Black	300	1.4	20ME
D1000-RBL	10" x 15" Drop-in Meter Reader w/ Plastic Reader Cover - Water Meter	Black	300	1.6	20ME



## NDS METER BOXES – STANDARD COMMERCIAL GRADE

### NDS D1200 Meter Boxes

**Specifications:** NDS D1200 meter boxes and covers are injection molded of structural foam recycled polyolefin material with a melt index between 10-12. Coloring and UV stabilizers are added, along with processing lubricants when needed. NDS 14" x 19" x 12" body is tapered and has a minimum wall thickness of 0.25". The body has a double wall at the top cover seat area with a minimum thickness of 0.187". The cover seat area has 30 structural support ribs on the underside of the seat, each with a minimum thickness of 3/16". The bottom of the body has a 1" flange. The D1200 cover has a minimum thickness of 0.250".

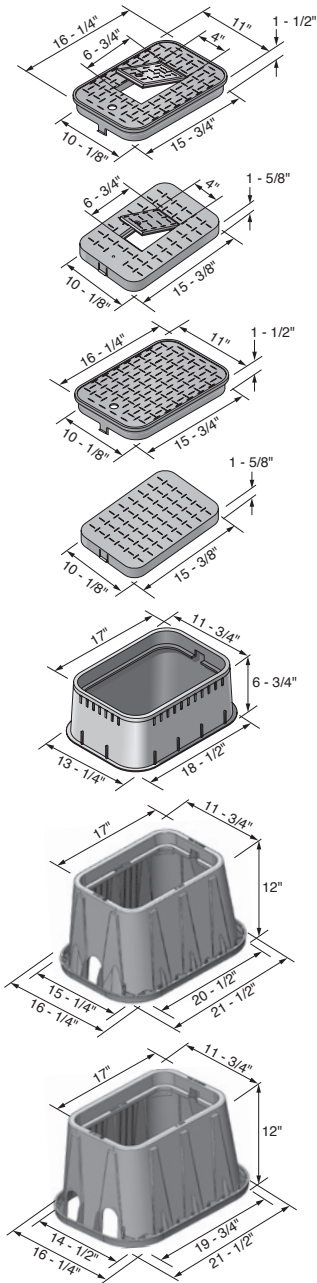


2 1/2" x 3 1/2" Pipe Slot

Part No.	Description - Marking	Color (Box/Cover)	Pallet Qty.	Wt. Ea. lbs.	Product Class
<b>Drop-in Box &amp; Cover</b>					
D1200-DISB	14" x 19" x 12" Standard Box, Drop-in Solid Plastic Cover - Water Meter	Black/Black	72	9.00	20ME
D1200-DISBSWR	14" x 19" x 12" Standard Box, Drop-in Solid Plastic Cover - Sewer	Black/Black	72	9.00	20ME
D1200-DISGSR	14" x 19" x 12" Standard Box, Drop-in Solid Plastic Cover - Sewer	Black/Green	72	9.00	20ME
D1200-DISBLU	14" x 19" x 12" Standard Box, Drop-in Solid Plastic Cover - Water Meter	Black/Blue	72	9.00	20ME
D1200-DIBLRD	14" x 19" x 12" Standard Box, Drop-in Meter Reader Plastic w/ Plastic Reader Cover - Water Meter	Black/Blue	72	9.00	20ME
D1200-DIRG	14" x 19" x 12" Standard Box, Drop-in Meter Reader Plastic w/ Plastic Reader Cover - Water Meter	Black/Green	72	9.00	20ME
D1200-DICIR	14" x 19" x 12" Standard Box, Drop-in Meter Reader Plastic w/ Cast Iron Reader Cover - Water Meter	Black/Black	72	10.20	20ME
D1200P-DICIRP	14" x 19" x 12" Standard Box, Drop-in Meter Reader Plastic w/ Cast Iron Reader Cover - Reclaimed Water	Purple/Purple	72	10.20	20ME
<b>Cover Only</b>					
D1200-DISBLUL	12" Drop in Solid Plastic Cover - Meter Reader	Blue	216	2.20	20ME

## NDS METER BOXES – STANDARD COMMERCIAL GRADE

### NDS D1200 Meter Boxes (continued)



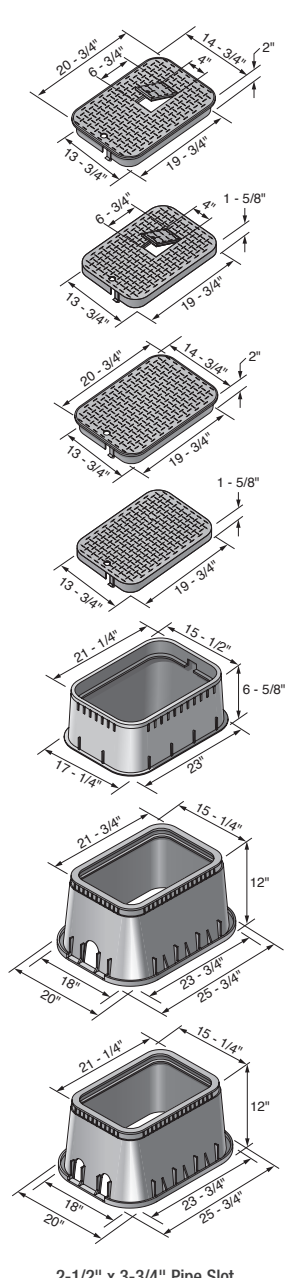
2-1/2" x 4" Pipe Slot

Part No.	Description - Marking	Color (Box/Cover)	Pallet Qty.	Wt. Ea. lbs.	Product Class
<b>Overlapping Box &amp; Cover</b>					
D1200-OLSB	14" x 19" x 12" Standard Box, Overlapping Solid Plastic Cover – Water Meter	Black/Black	72	9.20	20ME
D1200-DUOLSB	14" x 19" x 12" Standard Dual Pipe Slot Box, Overlapping Solid Plastic Cover – Water Meter	Black/Black	72	9.20	20ME
D1200-CI	14" x 19" x 12" Standard Box, Overlapping Solid Cast Iron Cover – Water Meter	Black/Black	72	19.00	20ME
D1200-OLCIR	14" x 19" x 12" Standard Box, Overlapping Meter Reader Plastic with Cast Iron Reader Cover – Water Meter	Black/Black	72	10.60	20ME
D1200-CICIR	14" x 19" x 12" Standard Box, Overlapping Meter Reader Cast Iron w/ Cast Iron Reader Cover – Water Meter	Black/Black	72	10.28	20ME
<b>Drop-in Cover Only</b>					
D1200-DISBL	14" x 19" Drop-in Solid Plastic Cover – Water Meter	Black	216	2.20	20ME
D1200-DISBSWRL	14" x 19" Drop-in Solid Plastic Cover – Sewer	Black	216	2.20	20ME
D1200-DISGSWRL	14" x 19" Drop-in Solid Plastic Cover – Sewer	Green	216	2.20	20ME
D1200-DIRBL	14" x 19" Drop-in Meter Reader with Plastic Reader Cover – Water Meter	Black	216	2.20	20ME
D1200-DIBLRDL	14" x 19" Drop-in Meter Reader with Plastic Reader Cover – Water Meter	Blue	216	2.20	20ME
D1200-DICIRLID	14" x 19" Drop-in Meter Reader with Cast Iron Reader Cover – Water Meter	Black	216	3.40	20ME
<b>Overlapping Cover Only</b>					
D1200-OLSBL	14" x 19" Overlapping Solid Plastic Cover – Water Meter	Black	216	2.40	20ME
D1200-OLLOCBLD	14" x 19" Overlapping Locking Solid Plastic Cover – Water Meter	Black	100	2.60	20ME
D1200-OLBLL	14" x 19" Overlapping Solid Plastic Cover – Water Meter	Blue	216	2.40	20ME
D1200-CIL	14" x 19" Overlapping Meter Reader Solid Cast Iron Cover – Water Meter	Black	216	12.20	20ME
D1200-OLCIR LD	14" x 19" Overlapping Meter Reader Plastic with Cast Iron Reader Cover – Water Meter	Black	216	3.80	20ME
<b>Box Only</b>					
D1200-B/O	14" x 19" x 12" Standard Box	Black	72	6.80	20ME
D1200-DUB/O	14" x 19" x 12" Standard Dual Pipe Slot Box	Black	72	6.80	20ME
D600E-EXT	14" x 19" x 6" Extension Only	Black	42	4.20	20ME

## NDS METER BOXES – STANDARD COMMERCIAL GRADE

### NDS D1500 Meter Boxes

**Specifications:** NDS 13" x 20" meter boxes and covers are injection molded of structural foam recycled polyolefin material with a melt index between 10-12. Coloring and UV stabilizers are added, along with processing lubricants when needed. The 13" x 20" body is tapered and has a minimum wall thickness of 0.250". The body has a double wall at the top cover seat area with a minimum thickness of 0.187". The cover seat area has 30 structural support ribs on the underside of the seat, each with a minimum thickness of 1/50". The bottom of the body has a 1" flange. The 13" x 20" cover has an average thickness of 0.250".



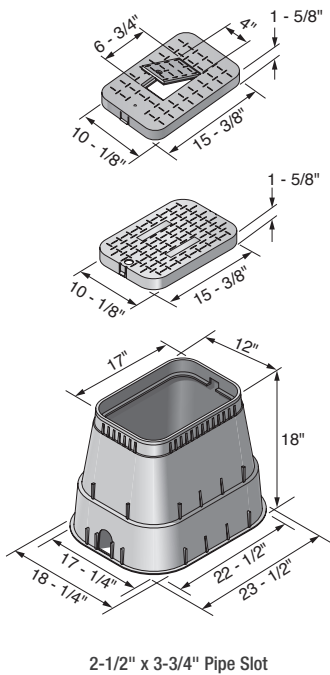
Part No.	Description - Marking	Color (Box/Cover)	Pallet Qty.	Wt. Ea. lbs.	Product Class
<b>Drop-in Box &amp; Cover</b>					
D1500-DISB	13" x 20" x 12" Jumbo Box, Drop-in Solid Plastic Cover – Water Meter	Black/Black	48	13.20	20ME
D1500-DUDISB	13" x 20" x 12" Dual Pipe Slot Jumbo Box, Drop-in Solid Plastic Cover – Water Meter	Black/Black	48	13.49	20ME
D1500-DIRB	13" x 20" x 12" Jumbo Box, Drop-in Meter Reader Plastic w/ Plastic Reader Cover – Water Meter	Black/Black	48	13.20	20ME
D1500-DUDIRB	13" x 20" x 12" Dual Pipe Slot Jumbo Box, Drop-in Meter Reader Plastic with Plastic Reader Cover – Water Meter	Black/Black	48	13.49	20ME
D1500-DICIR	13" x 20" x 12" Jumbo Box, Drop-in Meter Reader Plastic w/ Cast Iron Reader Cover – Water Meter	Black/Black	48	14.40	20ME
D1500-DUDICIR	13" x 20" x 12" Dual Pipe Slot Jumbo Box, Drop-in Meter Reader Plastic with Cast Iron Reader Cover – Water Meter	Black/Black	48	13.20	20ME
D1500-DIRBLU	13" x 20" Drop-in Plastic Cover with Plastic Meter Reader – Water Meter	Blue/Blue	48	11.60	20ME
<b>Overlapping Box &amp; Cover</b>					
D1500-OLSB	13" x 20" x 12" Jumbo Box, Overlapping Solid Plastic Cover – Water Meter	Black/Black	48	13.20	20ME
<b>Drop-in Cover Only</b>					
D1500-DISBL	13" x 20" Drop-in Solid Plastic Cover – Water Meter	Black	96	3.80	20ME
D1500-DIRBL	13" x 20" Drop-in Meter Reader Plastic with Plastic Reader Cover – Water Meter	Black	96	3.80	20ME
D1500-DICIR LD	13" x 20" Drop-in Meter Reader Plastic with Cast Iron Reader Cover – Water Meter	Black	96	5.00	20ME
<b>Overlapping Cover Only</b>					
D1500-OLSBL	13" x 20" Jumbo Overlapping Solid Plastic Cover – Water Meter	Black	96	3.80	20ME
<b>Box Only</b>					
D1500-B/O	13" x 20" x 12" Jumbo Box	Black	48	9.40	20ME
D1500-DUB/O	13" x 20" x 12" Dual Pipe Slot Jumbo Box	Black	48	8.91	20ME
D750E-EXT	13" x 20" x 6" Extension Only	Black	36	5.60	20ME
D1500-DICIRBLU	13" x 20" Drop-in Meter Reader Cover, Blue Plastic with Cast Iron Reader Cover – Water Meter	Blue	96	5.00	20ME

METER BOXES

## NDS METER BOXES – STANDARD COMMERCIAL GRADE

### NDS D1800 Meter Boxes

**Specifications:** NDS 14" x 19" x 18" meter boxes and covers are injection molded of structural foam recycled polyolefin material with a melt index between 10-12. Coloring and UV stabilizers are added, along with processing lubricants when needed. The 14" x 19" body is tapered and has a minimum wall thickness of 0.250". The body has a double wall at the top cover seat area with a minimum thickness of 0.22". The cover seat area has 26 structural support ribs on the underside of the seat, each with a minimum thickness of 0.12". The bottom of the body has a 0.50" flange. The 14" x 19" cover has an average thickness of 0.20".



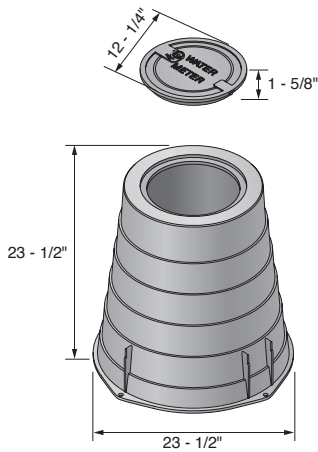
Part No.	Description - Marking	Color (Box/Cover)	Pallet Qty.	Wt. Ea. lbs.	Product Class
<b>Drop-in Box &amp; Cover</b>					
D1800-DISB	14" x 19" x 18" Box, Drop-in Solid Plastic Cover - Water Meter	Black/Black	48	12.20	20ME
D1800-DIRB	14" x 19" x 18" Box, Drop-in Meter Reader Plastic w/ Plastic Reader Cover - Water Meter	Black/Black	48	12.20	20ME
D1800-DICIR	14" x 19" x 18" Box, Drop-in Meter Reader Plastic w/ Cast Iron Reader Cover - Water Meter	Black/Black	48	13.40	20ME
<b>Drop-in Cover Only</b>					
D1200-DISBL	14" x 19" Drop-in Box Solid Plastic Cover - Water Meter	Black	216	2.20	20ME
D1200-DIRBL	14" x 19" Drop-in Meter Reader w/ Plastic Reader Cover - Water Meter	Black	216	2.20	20ME
D1200-DICIRLID	14" x 19" Drop-in Meter Reader w/ Cast Iron Reader Cover - Water Meter	Black	216	3.40	20ME
D1200-DISBSWRL	14" x 19" Drop-in Solid Plastic Cover - Sewer	Black	216	2.20	20ME
<b>Overlapping Cover Only</b>					
D1800-OLSG	14" x 19" Overlapping Cover - ICV	Black/Green	48	12.40	20ME
<b>Box Only</b>					
D1800-B/O	14" x 19" x 18" Box	Black	48	10.00	20ME
D1800-B/O NH	14" x 19" x 18" Box, No Pipe Slots	Black	48	10.00	20ME
D1800-B/O WHT	14" x 19" Box	White	48	10.00	20ME



## NDS METER BOXES – STANDARD COMMERCIAL GRADE

### NDS D2400 Meter Boxes

**Specifications:** NDS 16" round meter pits and covers are injection molded of structural foam recycled polyolefin material with a melt index between 10-12. Coloring and UV stabilizers are added, along with processing lubricants when needed. The 16" round meter pit body is tapered and has a minimum wall thickness of 0.2615". The body has a double wall at the top cover seat area with a minimum thickness of 0.2780". The cover seat area has 8 structural support ribs on the underside of the seat, each with a minimum thickness of 0.0995". The bottom of the body has a 1/2" flange which flares to 1-1/4" at bolt hole. The 12-3/8" cover has an average thickness of 0.375".



Part No.	Description - Marking	Color (Box/Cover)	Pallet Qty.	Wt. Ea. lbs.	Product Class
<b>Box &amp; Cover</b>					
D2400-18LOCSB	18" Meter Pit, Overlapping Locking Solid Plastic Cover - Water Meter	Black/Black	52	11.40	20ME
D2400-LOCSB	24" Meter Pit, Overlapping Locking Solid Plastic Cover - Water Meter	Black/Black	52	17.53	20ME
<b>Cover Only</b>					
D2400-LOCSWBL	Overlapping Locking Solid Plastic Cover - Water Meter	Black	52	1.60	20ME
<b>Box Only</b>					
D2400-18 B/O	18" Meter Pit	Black	52	9.80	20ME
D2400-B/O	24" Meter Box	Black	52	14.00	20ME

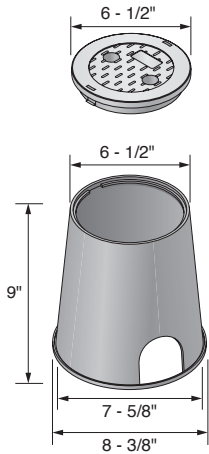
### NDS Replacement Parts

Part No.	Description - Marking	Color (Box/Cover)	Pallet Qty.	Wt. Ea. lbs.	Product Class
DKEY	Brass Locking Key	Brass	1	0.50	20ME

## NDS PRO SERIES METER BOXES – PREMIUM COMMERCIAL GRADE

### NDS 6" Round Meter Boxes

**Specifications:** The NDS 6" round meter boxes and covers are injection molded of structural foam polyolefin material with a melt index between 10-12. Coloring and UV stabilizers are added, along with processing lubricants when needed. The 6" round body is tapered and has a minimum wall thickness of 0.20". The body has a double wall at the top cover seat area with a minimum thickness of 0.13". The bottom of the body has a 0.250" flange. The 6" round cover has an average thickness of 0.187".

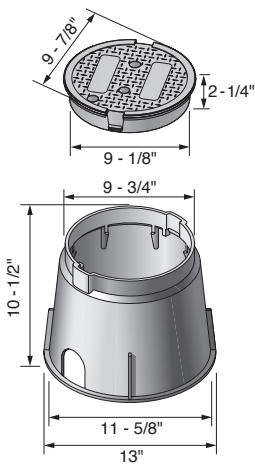


2-3/4" x 2-3/8" Pipe Slot

Part No.	Description - Marking	Color (Box/Cover)	Pallet Qty.	Wt. Ea. lbs.	Product Class
<b>Box &amp; Cover</b>					
107BCW	6" Round Box, Overlapping Solid Plastic Cover - Water Meter	Black/Green	250	1.50	20NM
107BCR	6" Round Box, Overlapping Solid Plastic Cover - Reclaimed Water	Black/Purple	250	1.50	20ND
107PBCR	6" Round Box, Overlapping Solid Plastic Cover - Reclaimed Water	Purple/Purple	250	1.50	20ND
107BCS	6" Round Box, Overlapping Solid Plastic Cover - Sewer	Black/Green	250	1.50	20NM
<b>Cover Only</b>					
107CW	6" Overlapping Solid Plastic Cover - Water Meter	Green	800	0.40	20NM
107CR	6" Overlapping Solid Plastic Cover - Reclaimed Water	Purple	800	0.40	20ND
107CS	6" Overlapping Solid Plastic Cover - Sewer	Green	800	0.40	20NM
<b>Box Only</b>					
107B	6" Round Box	Black	250	1.23	20ND

### NDS 10" Round Meter Boxes

**Specifications:** The NDS 10" round meter boxes and covers are injection molded of structural foam polyolefin material with a melt index between 10-12. Coloring and UV stabilizers are added, along with processing lubricants when needed. The 10" round body is tapered and has a minimum wall thickness of 0.30". The cover seat area has 8 structural support ribs on the underside of the seat, each with a minimum thickness of 0.250". The bottom of the body has a 0.50" flange. The 10" round cover has an average thickness of 0.30". The meter box has a 3/8" 304 Brass nut for the bolt-down as a standard feature.



2-1/2" x 2-3/4" Pipe Slot

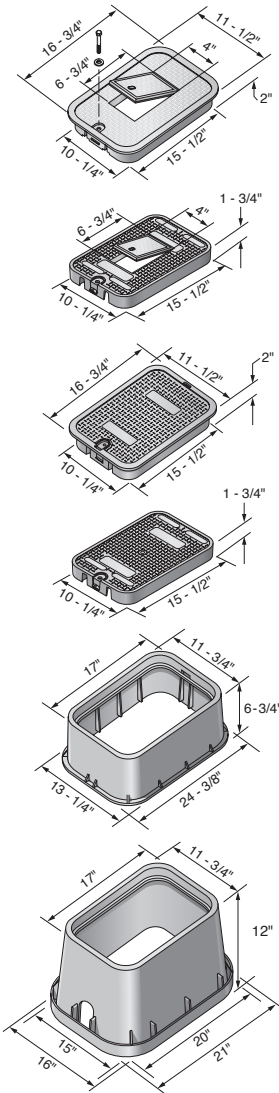
Part No.	Description - Marking	Color (Box/Cover)	Pallet Qty.	Wt. Ea. lbs.	Product Class
<b>Box &amp; Cover</b>					
111BCS	10" Round Box, Overlapping Solid Plastic Cover - Sewer	Black/Green	180	3.00	20NM
212BCS	10" Round Box, Round Overlapping Solid Plastic Cover - Sewer	Green/Green	120	4.50	20PR
<b>Cover Only</b>					
111CS	10" Round Overlapping Solid Plastic Cover - Sewer	Green	300	1.00	20NM

**\*\*Note – Installer responsible for ensuring product meets local building/electrical code requirements.**

## NDS PRO SERIES METER BOXES – PREMIUM COMMERCIAL GRADE

### NDS 14" x 19" Meter Boxes

**Specifications:** The NDS 14" x 19" meter boxes and covers are injection molded of structural foam polyolefin material with a melt index between 10-12. Coloring and UV stabilizers are added, along with processing lubricants when needed. The 14" x 19" body is tapered and has a minimum wall thickness of 0.250". The body has a double wall at the top cover seat area with a minimum thickness of 0.250". The cover seat area has 16 structural support ribs on the underside of the seat, each with a minimum thickness of 0.250". The bottom of the body has a 0.50" flange. The 12" x 20" cover shall have an average thickness of 0.250". The meter box has a 3/8" 304 Brass nut for the bolt-down as a standard feature.



2-3/4" x 2-1/2" Pipe Slot

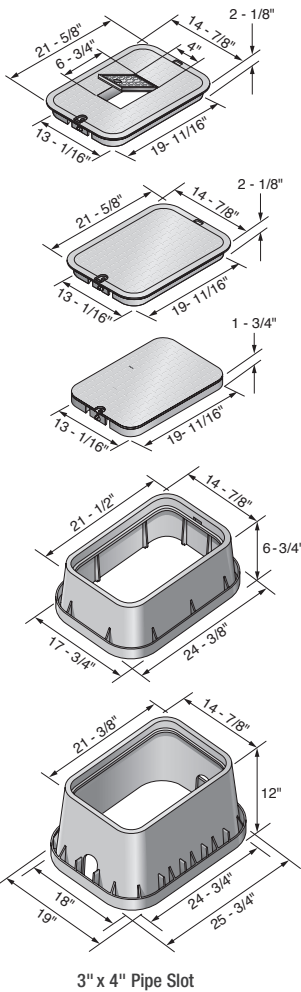
Part No.	Description - Marking	Color (Box/Cover)	Pallet Qty.	Wt. Ea. lbs.	Product Class
<b>Drop-in Box &amp; Cover</b>					
113BCDW	14" x 19" x 12" Box, Drop-in Solid Plastic Cover - Water Meter	Black/Black	78	8.00	20NM
113BCDS	14" x 19" x 12" Box, Drop-in Solid Plastic Cover - Sewer	Black/Green	78	8.00	20NM
<b>Overlapping Box &amp; Cover</b>					
113BCW	14" x 19" x 12" Box, Overlapping Solid Plastic Cover - Water Meter	Black/Black	78	9.32	20NM
113BCS	14" x 19" x 12" Box, Overlapping Solid Plastic Cover - Sewer	Black/Green	78	9.32	20NM
113BCE	14" x 19" x 12" Box, Overlapping Solid Plastic Cover - Electrical	Green/Green	78	9.32	20NM
113BCR	14" x 19" x 12" Box, Overlapping Solid Plastic Cover - Reclaimed Water	Black/Purple	78	9.10	20ND
113PBCR	14" x 19" x 12" Box, Overlapping Solid Plastic Cover - Reclaimed Water	Purple/Purple	78	9.29	20ND
113BCM	14" x 19" x 12" Box, Overlapping Meter Reader Plastic w/ Plastic Reader Cover - Water Meter	Black/Black	78	8.92	20NM
213PBCR	14" x 19" Box, Overlapping Solid Plastic Cover - Reclaimed Water	Purple/Purple	78	9.00	20PR
<b>Drop-in Cover Only</b>					
113CDMCIF	14" x 19" Drop-in Meter Reader Plastic w/ Cast Iron Reader Cover - Water Meter	Black	300	3.80	20NM
<b>Overlapping Cover Only</b>					
113CW	14" x 19" Overlapping Solid Plastic Cover - Water Meter	Black	300	2.30	20NM
114CW	14" x 19" Overlapping Solid Plastic Cover - Water Meter	Green	300	2.30	20NM
113CR	14" x 19" Overlapping Solid Plastic Cover - Reclaimed Water	Purple	300	2.50	20ND
113CE	14" x 19" Overlapping Solid Plastic Cover - Electric	Green	300	2.30	20NM
113CMCIF	14" x 19" Overlapping Meter Reader Plastic w/ Cast Iron Reader Cover - Water Meter	Black	300	3.65	20NM
<b>Box Only</b>					
113B	14" x 19" x 12" Box	Black	78	6.00	20NM
113-6	14" x 19" x 6" Extension	Black	49	4.00	20ND
114-6	14" x 19" x 6" Extension	Green	49	3.86	20ND
113BB	2-1/2" x 3/8" SS Bolt	Steel	(Bag of 10)	0.10	20NM

\*\*Note – Installer responsible for ensuring product meets local building/electrical code requirements.

## NDS PRO SERIES METER BOXES – PREMIUM COMMERCIAL GRADE

### NDS 13" x 20" Meter Boxes

**Specifications:** The NDS 13" x 20" meter boxes and covers are injection molded of structural foam polyolefin material with a melt index between 10-12. Coloring and UV stabilizers are added, along with processing lubricants when needed. The 13" x 20" body is tapered and has a minimum wall thickness of 0.250". The body has a double wall at the top cover seat area with a minimum thickness of 0.250". The cover seat area has 16 structural support ribs on the underside of the seat, each with a minimum thickness of 0.250". The bottom of the body has a 0.50" flange. The 13" x 20" cover has an average thickness of 0.250". The meter box has a 3/8" 304 Brass nut for the bolt-down as a standard feature.



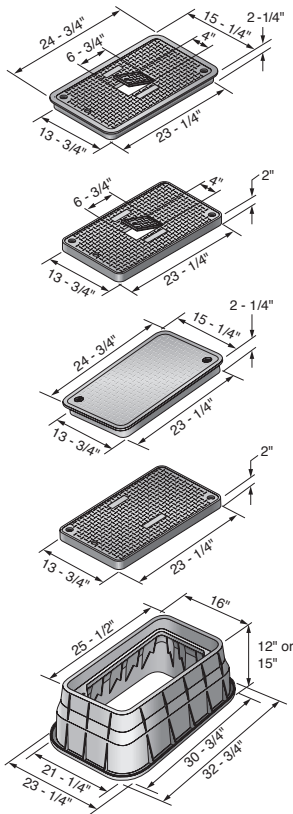
Part No.	Description - Marking	Color (Box/Cover)	Pallet Qty.	Wt. Ea. lbs.	Product Class
<b>Drop-in Box &amp; Cover</b>					
117BCDW	13" x 20" x 12" Box, Drop-in Solid Plastic Cover - Water	Black/Black	56	13.25	20NM
<b>Overlapping Box &amp; Cover</b>					
117BCS	13" x 20" x 12" Box, Overlapping Solid Plastic Cover - Sewer	Black/Green	56	14.00	20NM
117B12CW	13" x 20" x 12" Valve Box with Overlapping Cover - Water	Black	56	14.00	20NM
<b>Drop-in Cover Only</b>					
117CDMCF	13" x 20" Drop-in Meter Reader Plastic w/ Cast Iron Reader Cover - Water Meter	Black	180	7.50	20NM
<b>Overlapping Cover Only</b>					
117CW	13" x 20" Overlapping Solid Plastic Cover - Water Meter	Black	180	5.00	20NM
117CS	13" x 20" Overlapping Solid Plastic Cover - Sewer	Green	180	5.00	20NM
<b>Box Only</b>					
117B	13" x 20" x 12" Box, Single Inlet, Single Outlet	Black	56	8.14	20NM
117-6	13" x 20" Jumbo Extension	Black	32	6.88	20ND
113BB	2-1/2" x 3/8" SS Bolt	Steel	(Bag of 10)	0.10	20NM



## NDS PRO SERIES METER BOXES – PREMIUM COMMERCIAL GRADE

### NDS 13" x 24" Meter Boxes

**Specifications:** The NDS 13" x 24" meter boxes and covers are injection molded of structural foam polyolefin material with a melt index between 10-12. Coloring and UV stabilizers are added, along with processing lubricants when needed. The 13" x 24" body is tapered and has a minimum wall thickness of 0.27". The body has a double wall at the top cover seat area with a minimum thickness of 0.27". The cover seat area has 18 structural support ribs on the underside of the seat, each with a minimum thickness of 0.250". The bottom of the body has a 1" flange. The 13" x 24" cover has an average thickness of 0.32". The meter box has a 3/8" 304 Brass nut for the bolt-down as a standard feature.



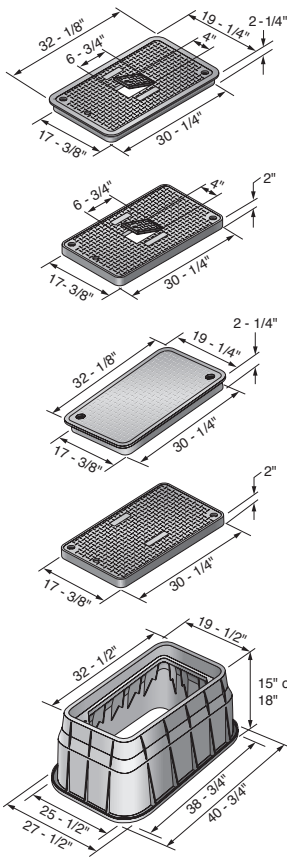
Part No.	Description - Marking	Color (Box/Cover)	Pallet Qty.	Wt. Ea. lbs.	Product Class
<b>Drop-in Box &amp; Cover</b>					
121BCDWB	13" x 24" x 12" Box, Bolt-Down Drop-in Solid Plastic Cover - Water Meter	Black/Black	12	22.78	20NM
121BCDMCIFB	13" x 24" x 12" Box, Bolt-Down Drop-in Meter Reader Plastic w/ Cast Iron Reader Cover - Water Meter	Black/Black	12	23.13	20NM
125BCDMCIFB	13" x 24" x 15" Box, Bolt-Down Drop-in Meter Reader Plastic w/ Cast Iron Reader Cover - Water Meter	Black/Black	12	26.13	20NM
**Note – Installer responsible for ensuring product meets local building/electrical code requirements. Insulate bolt with 1/2" x 2-3/4" heat shrink tube and/or a ground rod clamp (such as Thomas & Betts Part Number 63) to reduce the chance of electrical shock.					
<b>Overlapping Box &amp; Cover</b>					
125PBCRB	13" x 24" x 15" Box, Bolt-Down Overlapping Solid Plastic Cover - Reclaimed Water	Purple/Purple	12	26.44	20ND
<b>Drop-in Cover Only</b>					
121CDMCI	13" x 24" Drop-in Meter Reader Plastic w/ Cast Iron Reader Cover - Water Meter	Black	125	7.13	20NM
<b>Box Only</b>					
125B	13" x 24" x 15" Box	Black	12	19.00	20NM

\*\*Note – Installer responsible for ensuring product meets local building/electrical code requirements.

## NDS PRO SERIES METER BOXES – PREMIUM COMMERCIAL GRADE

### NDS 17" x 30" Meter Boxes

**Specifications:** The NDS 17" x 30" meter boxes and covers are injection molded of structural foam polyolefin material with a melt index between 10-12. Coloring and UV stabilizers are added, along with processing lubricants when needed. The 17" x 30" body is tapered and has a minimum wall thickness of 0.32". The body has a double wall at the top cover seat area with a minimum thickness of 0.32". The cover seat area has 20 structural support ribs on the underside of the seat, each with a minimum thickness of 0.250". The bottom of the body has a 1" flange. The 17" x 30" cover has an average thickness of 0.35". The meter box has a 3/8" 304 SS Brass for the bolt-down as a standard feature.



Part No.	Description - Marking	Color (Box/Cover)	Pallet Qty.	Wt. Ea. lbs.	Product Class
<b>Drop-in Box &amp; Cover</b>					
124BCDWB	17" x 30" x 15" Box, Bolt-Down Drop-in Solid Plastic Cover - Water Meter	Black/Black	12	34.70	20NM
126BCDMB	17" x 30" x 18" Box, Bolt-Down Drop-in Plastic w/ Plastic Reader Cover - Water Meter	Black/Black	10	41.00	20NM
126BCDMCIFB	17" x 30" x 18" Box, Bolt-Down Drop-in Plastic w/ Cast Iron Reader Cover - Water Meter	Black/Black	10	37.65	20NM
<b>Overlapping Cover Only</b>					
223CR	17" x 30" Overlapping Solid Plastic Cover - Reclaimed Water	Purple	75	11.60	20ND
<b>Drop-in Cover Only</b>					
123CDMCIF	17" x 30" Drop In Cover with Cast Iron Meter Reader	Black	75	10.30	20NM

**\*\*Note – Installer responsible for ensuring product meets local building/electrical code requirements.**

## METER BOXES PRODUCT INDEX

Part No.	Page	Part No.	Page	Part No.	Page	Part No.	Page	Part No.	Page
107B	212	117-6	214	D15AMR2-B/O	204	D1200-DISB	207	D1500-DISBTR	205
107BCR	212	117B	214	D15AMR2-DI	204	D1200-DISBL	204, 208, 210	D1500-DUB/O	205, 209
107BCS	212	117B12CW	214	D15AMR2-DU B/O	204	D1200-DISBLU	207	D1500-DUDICIR	209
107BCW	212	117BCDW	214	D15AMR2-PS B/O	204	D1200-DISBLUL	207	D1500-DUDIRB	209
107CR	212	117BCS	214	D15-BAMR	205	D1200-DISBSWR	207	D1500-DUDISB	209
107CS	212	117CDMCIF	214	D15-BAMRL	205	D1200-DISBSWRL	208, 210	D1500-OLSB	209
107CW	212	117CS	214	D15-BAMRLP-AM	205	D1200-DISGSWR	207	D1500-OLSBL	209
107PBCR	212	117CW	214	D15DU-BAMR	205	D1200-DISGSWRL	208	D1800-B/O	203, 210
111BCS	212	121BCDMCIFB	215	D109-B	206	D1200-DITR	203	D1800-B/O NH	210
111CS	212	121BCDWB	215	D109-P	206	D1200-DITRL	203	D1800-B/O WHT	210
113-6	213	121CDMCIF	215	D109-PL	206	D1200-DUB/O	208	D1800-DICIR	210
113B	213	123CDMCIF	216	D600E-EXT	203, 208	D1200-DUOLSB	208	D1800-DIRB	210
113BB	213, 214	124BCDWB	216	D750E-EXT	205, 209	D1200-OLBL	208	D1800-DISB	210
113BCDS	213	125B	215	D1000-RB	206	D1200-OLCIR	208	D1800-OLSG	210
113BCDW	213	125BCDMCIFB	215	D1000-RBL	206	D1200-OLCIR LD	208	D2400-18 B/O	211
113BCE	213	125PBCRB	215	D1000-SB	206	D1200-OLLOCLD	204, 208	D2400-18LOCSB	211
113BCM	213	126BCDMB	216	D1000-SBL	206	D1200-OLSB	208	D2400-B/O	211
113BCR	213	126BCDMCIFB	216	D1200-B/O	203, 208	D1200-OLSBL	204, 208	D2400-LOCSB	211
113BCS	213	212BCS	212	D1200-CI	208	D1200P-DICIRP	207	D2400-LOCSWBL	211
113BCW	213	213PBCR	213	D1200-CICIR	208	D1500-B/O	205, 209	DKEY	211
113CDMCIF	213	223CR	216	D1200-CIL	208	D1500-DICIR	209		
113CE	213	D12AMR-OLLOCL	203	D1200-DIBLRD	207	D1500-DICIRBLU	209		
113CMCIF	213	D12AMR-OLLOCTRBLUL	203	D1200-DIBLRDL	208	D1500-DICIR LD	209		
113CR	213	D12AMR-OLLOCTRL	203	D1200-DICIR	207	D1500-DIRB	209		
113CW	213	D12-BAMR	203	D1200-DICIRBLU	204	D1500-DIRBL	209		
113PBCR	213	D12-BAMRL	203	D1200-DICIRLID	204, 208, 210	D1500-DIRBLU	209		
114-6	213	D12-TAMR	203	D1200-DIRBL	204, 208, 210	D1500-DISB	209		
114CW	213	D12-TAMRL	203	D1200-DIRG	207	D1500-DISBL	209		

# You Click, You Order. No Waiting.

Getting connected is easy... set up your account online, or call customer service. 800-7261994. Se Habla Español.

## ndspro.net

The 24 hour online dealer tool that helps you manage your NDS Business

Pricing Query

Instant Order Entry, No Wait

Check Discount Schedules

Check Order Status

Invoice Printing

Inventory Query

Manage Your Account

News Updates

Links to ndspro.com and Literature Direct



**NEW! Shopping Cart**  
Easy to Use & Convenient



## TERMS AND CONDITIONS OF SALE

---

**Terms:** Standard terms are NET 30 days. All invoices are to be paid in US Currency. Title and risk of loss pass to buyer upon shipment.

**Freight Allowance:** Freight prepaid on orders of \$2000.00 NET or more, with the exception of shipments to HI, Canada, AK, and PR Prepaid freight levels are based on shipments to one location only. It is the responsibility of the customer to determine if his purchase order meets the minimum freight allowance required. NDS reserves the right to select the carrier and point of shipment.

Canada, Hawaii, Puerto Rico & Alaska orders that include EZflow must be a minimum of \$4000 for prepaid freight Terms.

**Canada, Puerto Rico & Alaska:** Freight prepaid on orders of \$2500.00 (US\$) NET or more.

**Hawaii Orders:** Freight prepaid on orders of \$3500 NET or more.

**Errors & Claims:** All claims for shortage in shipment or damaged material must be noted on the “Bill of Lading” and a written request for credit submitted to NDS within 15 days of shipment. NDS responsibility ceases upon delivery to the carrier.

**Returned Goods:** Returned goods will be accepted only after written approval and shipping instructions are received from NDS. A return goods authorization number is required and must be on all cartons, documents, and correspondence. All returns are subject to a 25% restocking charge, freight cost of returned goods (plus “out freight if applicable”). A higher restocking charge may be assessed against any return requiring extraordinary handling costs.

**Minimum Order:** \$100.00 minimum order net billing.

**Broken Box Charge:** A 25% broken box charge will be added for other than full box quantities. 21DI Drip Components, 25DS Dura Slope Channel and 25FC Filcoten Channel are excluded from this policy.

**Limited One Year Warranty:** The liabilities of NDS are limited solely and exclusively to replacement as set forth in our standard “Statement of Warranty”, alone and do not include any liability for incidental, consequential or other damage of any kind whatsoever, whether any claim is based upon theories of contract, warranty, negligence or tort and without any limitations and do not include shipping charges, labor, installation or any other losses or expenses incurred in operation of any replacement specialty item or fitting. NDS drainage products are designed to be used for exterior surface drainage only.

All NDS products are guaranteed against defects resulting from faulty workmanship or materials. Claims for labor costs and other expenses required to replace defective products or repair of any damage resulting from the use thereof will not be allowed by NDS. Our liability is limited to replacement of products acknowledged by NDS to be defective.

**Exclusive Warranties and Remedies:** The foregoing remedies are exclusive and are given and accepted in lieu of (i) any and all other warranties, expressed or implied, including without limitation the implied warranties of merchantability and fitness for particular purpose; and (ii) any obligation, liability, right, claim or remedy in contract or tort, whether or not arising from NDS, Inc.’s negligence, actual or imputed. The remedies of customer shall be limited to those provided herein to the exclusion of any and all other remedies including, without limitation, incidental or consequential damages. No agreement varying or extending the foregoing warranties or these limitations will be binding on NDS, Inc., unless such is signed in writing by an authorized officer of NDS, Inc.

The liability of NDS, Inc., hereunder shall be limited to restoring to good working order, provided that NDS, Inc., is not required to restore the product to good working order when such failure is due to causes beyond NDS, Inc.’s control, including but not limited to, acts of God, acts of civil or military authority, priorities, strikes, floods, epidemics, war, riots, and other causes that are beyond the manufacturers control.

These provisions are complete and exclusive statements of all terms and conditions between NDS, Inc., and the consumer. These provisions may not be varied, supplemented, qualified or interpreted by any prior course of dealings, written or oral or by trade usage. No NDS, Inc. agent, officer or employee has authority to make any representation, promise or warranty concerning these provisions.

**FOR TECHNICAL INFORMATION, CONTACT: Technical Services, (888) 825-4716, [TechService@ndspro.com](mailto:TechService@ndspro.com)**

Visit [ndspro.com](http://ndspro.com) for more information.

---



Our products are engineered and produced for performance, durability, ease of installation and the efficient use of resources.



Your knowledgeable and trusted partner for the best in water management solutions



Residential Stormwater Management | Commercial Stormwater Management | Professional Irrigation | Flow Management

Visit [ndspro.com](https://ndspro.com) for:



Videos



Tools/  
Calculators



Downloads



Case  
Studies



Design  
Worx



Request  
a Quote

**ndspro.com**

NDS Customer Service  
851 N. Harvard Ave., Lindsay, CA 93247  
Phone: 800.726.1994 · 559.562.9888  
Fax: 800.726.1998 · 559.562.4488  
**Se Habla Español**

Download our  
**Mobile App - Search  
for NDS Drainage**



A Proud Member of



**California Prop 65 Warning** | To meet the requirements of California Proposition 65, it is our responsibility to inform you of the following: Warning Some products sold contain chemicals known to the state of California to cause cancer, birth defects, or other reproductive harm. For more information, please go to [www.P65Warnings.ca.gov](http://www.P65Warnings.ca.gov)