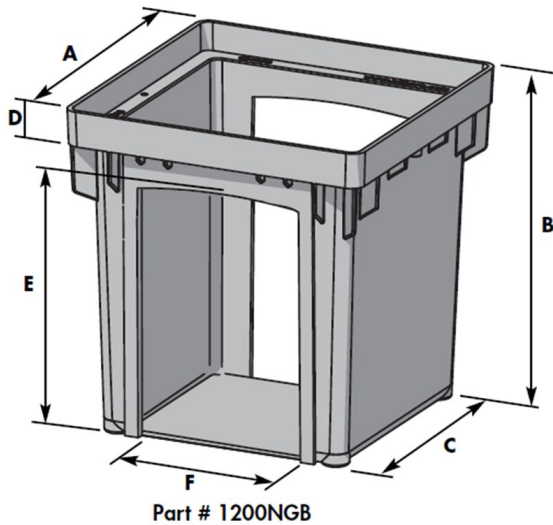
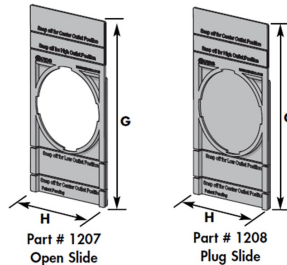


NEXT GENERATION CATCH BASIN

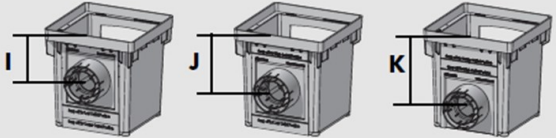
The 1200NGB™ Next Generation Catch Basin from NDS is a 12" x 12" catch basin that has unique inlet/outlets that adjust up or down. The basin can be easily adjusted to accept pipe at various elevations. The inlet/outlet slides are separate from the basin, and are installed into the basin after the inlet/outlet elevation is chosen.



Catch Basin Dimensions		
A	Top Width/Length	12 ^{1/8} "
B	Height	12 ^{15/16} "
C	Bottom Width/Length	10 ^{1/8} "
D	Height of Grating Shelf	1 ^{3/4} "
E	Opening Height	10 ^{1/4} "
F	Opening Width	7 ^{1/8} "
Outlet Slide Dimensions		
G	Height Before Install	15"
H	Width	7 ^{13/16} "



Universal Outlet Size Part #	NGB Adapter Position		
	High (I)	Middle (J)	Low (K)
1243 3", 4" adapter	5 ^{1/4} "	6 ^{5/8} "	8 ^{7/8} "
1266 6" adapter	5 ^{1/4} "	6 ^{5/8} "	8 ^{7/8} "
1245 3", 4" offset adapter			
1245 High	4 ^{3/8} "	5 ^{7/8} "	8"
1245 Middle	5 ^{1/4} "	6 ^{3/8} "	8 ^{7/8} "
1245 Low	6 ^{1/8} "	7 ^{9/16} "	9 ^{3/4} "
1889 8" offset adapter			
1889 High	n/a	6"	8 ^{3/4} "
1889 Middle	n/a	6 ^{3/4} "	9 ^{3/8} "
1889 Low	n/a	7 ^{3/8} "	9 ^{3/4} "



Material: Polypropylene

Colors: Black

(1200NGBDISPLAY, 1200NGBKIT, 1200NGB)

Fits: Requires either part # 1207 (Open Slide, accepts NDS universal outlets), or #1208 (Plug side). Both #1207 and #1208 are made out of Styrene.

