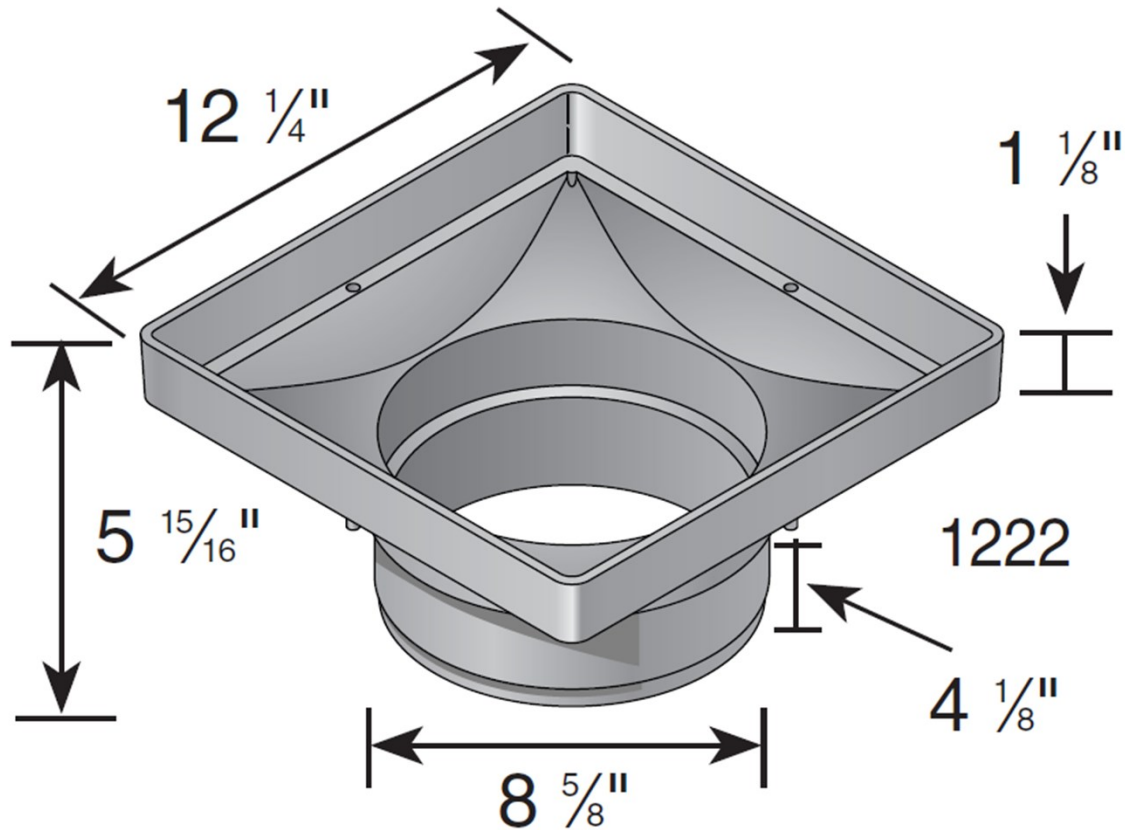


12" x 12" Square, Low Profile Spigot Adapter



Part #: 1222
Material: (HIPS) High Impact Polystyrene
Color: Black
Fits: 8" corrugated pipe.
Use with 12" x 12" Grates
UV inhibitor
Weight Per Each: 2.0 lbs.