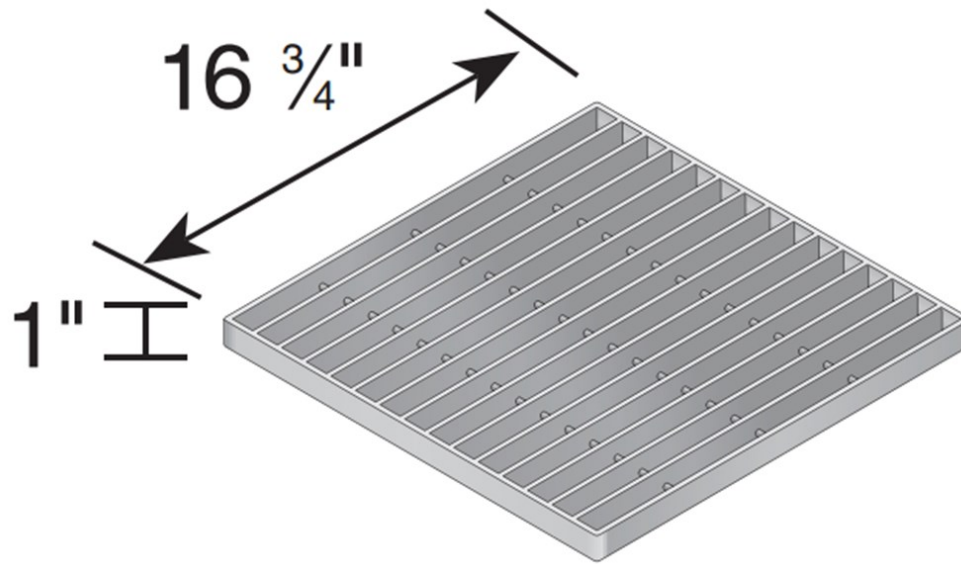


18" SQUARE GALVANIZED STEEL GRATE



1" Grate Openings

Material: Galvanized Steel

Weight: 10.78 lbs

Colors: Galvanized Steel (1815)

Fits: Use with 18" Catch basin series

Grate Openings: 239.00 in²

Will accommodate 731.13 gallons per minute with 1/2" of head



Class C

- Loads of 176-325 psi.
- Recommended for heavy-duty pneumatic tire forklifts and tractor trailers at speeds less than 20 m.p.h., H-20 rated.

Note: Some installations may require a concrete collar to meet load rating. Loads are based on encasing product in concrete. Product must be installed using NDS instructions.

