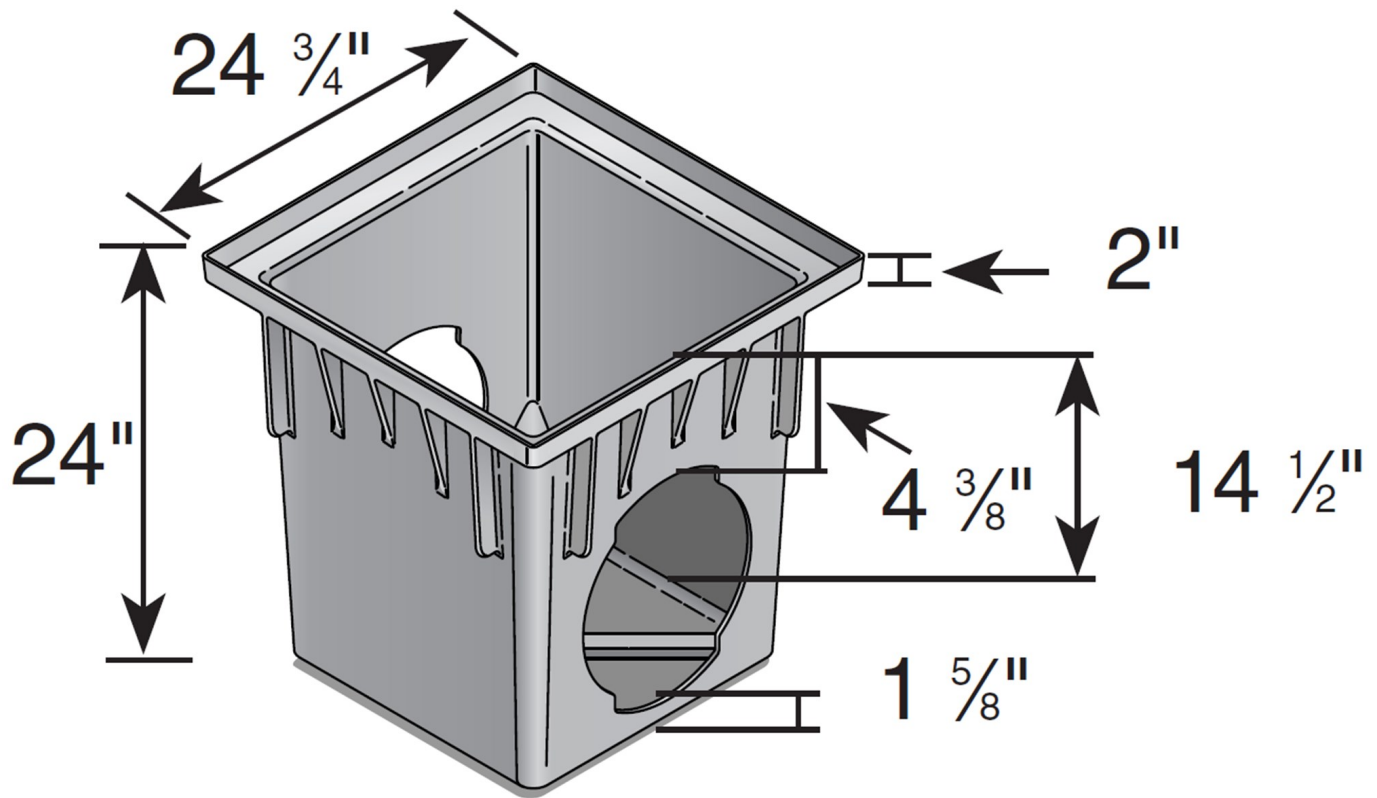


## 24" x 24" Catch Basin



Part #: 2400 ( 2 Openings) and #2404 ( 4 Openings)  
 Material: HDPE ( High Density Polyethylene)  
 Color: Black  
 Use with 24" x 24" Grates  
 Fits: 3" or 4" Sch. 40, sewer, drain, corrugated, and triple wall pipe, 6" and 8" sewer, drain and corrugated pipe, 10" and 12" sewer, drain and dual wall corrugated pipe, 12" single wall corrugated pipe will not fit 10" single wall corrugated pipe.  
 Requires 2 or 4 #2410 Universal Outlet  
 Weight Per Each: 19.45 lbs. ( #2400), 18.00 lbs. (#2404)  
 UV inhibitor