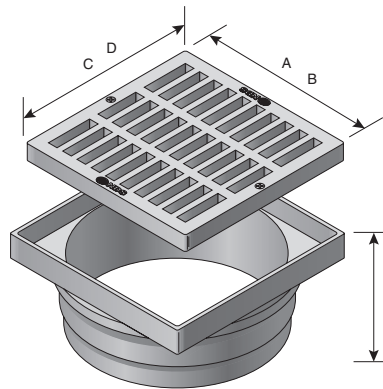
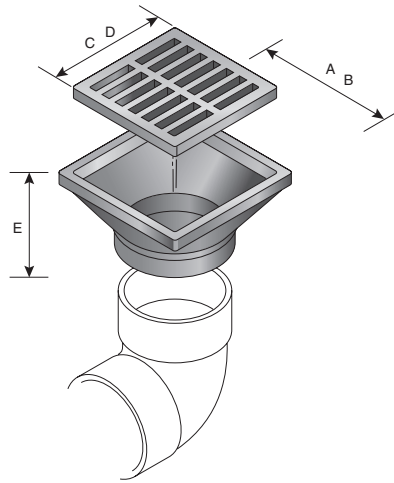


## Square Grates & Adapters



### Dimension Key

- A: Length of housing
- B: Width of housing
- C: Length of grate
- D: Width of grate
- E: Height
- F: Grate opening width
- G: Open surface area
- H: GPM
- I: Load rating
- J: Fits
- K: Weight

Part Number	A	B	C	D	E	F	G	H	I	J	K
640	6 3/16	6 3/16	5 7/8	5 7/8	2 1/2	1/4	13.61 Sq. in	17.83	A	3" or 4" S&D pipe, 3" or 4" S&D fittings, 3" or 4" corrugated pipe, 3" 4" triple wall pipe	.88
641	6 3/16	6 3/16	5 7/8	5 7/8	2 1/2	1/4	13.61 Sq. in	17.83	A	3" or 4" S&D pipe, 3" or 4" S&D fittings, 3" or 4" corrugated pipe, 3" 4" triple wall pipe	.88
642	6 3/16	6 3/16	5 7/8	5 7/8	2 1/2	1/4	13.61 Sq. in	17.83	A	3" or 4" S&D pipe, 3" or 4" S&D fittings, 3" or 4" corrugated pipe, 3" 4" triple wall pipe	.88
637	6 3/16	6 3/16	5 7/8	5 7/8	2 3/4	1/4	13.61 Sq. in	17.83	A	Spee-D basin, 6" S&D pipe, 6" S&D fittings, 6" corrugated pipe	.88
638	6 3/16	6 3/16	5 7/8	5 7/8	2 3/4	1/4	13.61 Sq. in	17.83	A	Spee-D basin, 6" S&D pipe, 6" S&D fittings, 6" corrugated pipe	.88
639	6 3/16	6 3/16	5 7/8	5 7/8	2 3/4	1/4	13.61 Sq. in	17.83	A	Spee-D basin, 6" S&D pipe, 6" S&D fittings, 6" corrugated pipe	.88

### Load Recommendation Guide



#### Class A

- Loads of 1-60 psi.
- Recommended for pedestrians, bicycles and wheel chair traffic.

**Note:** Some installations may require a concrete collar to meet load rating. Loads are based on encasing product in concrete. Product must be installed using NDS instructions.