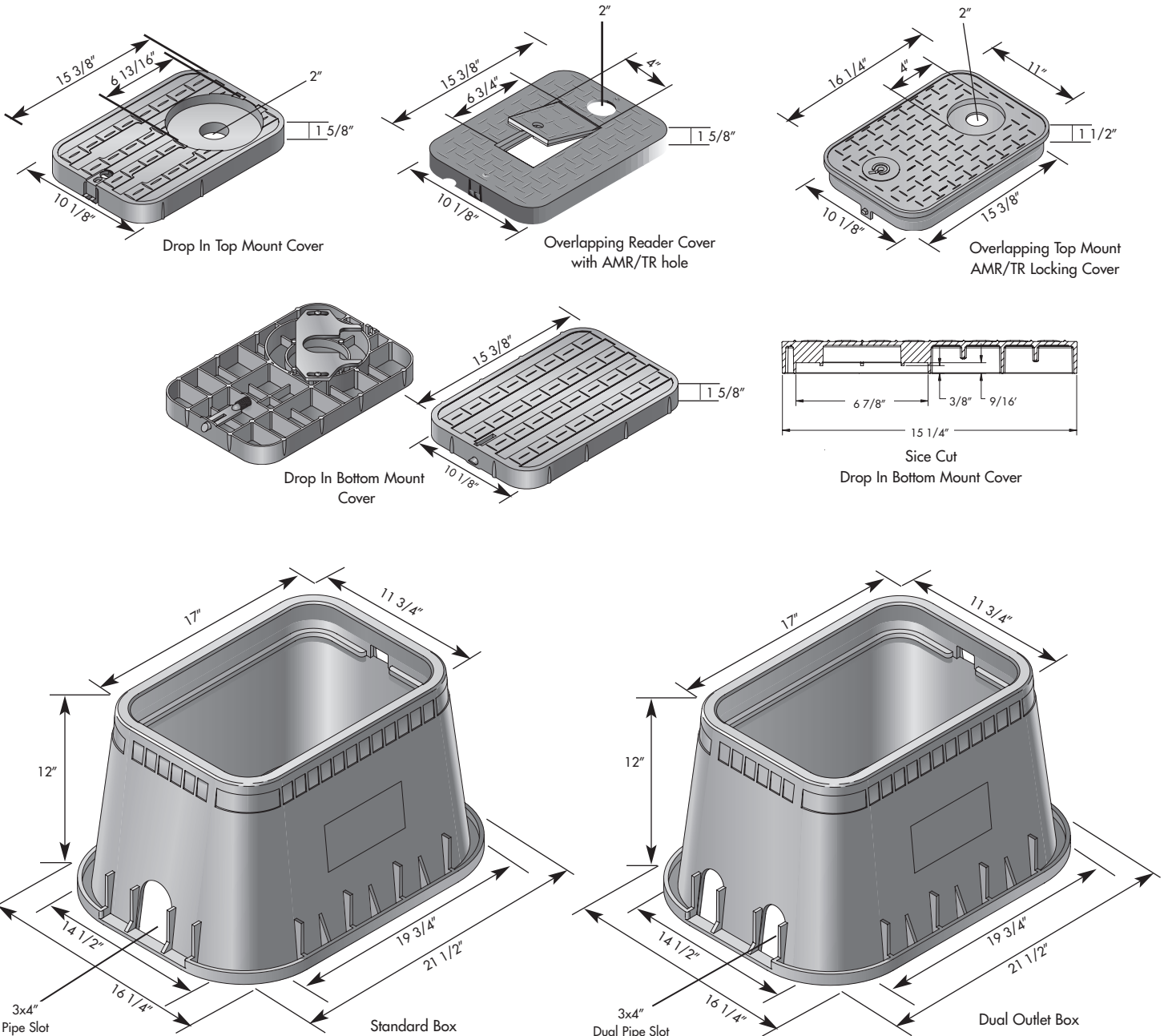


## NDS 12x17 AMR/TR Meter Boxes & Covers

### NDS 12x17 AMR Meter Boxes

The NDS 12"x17"x12" body shall be tapered and have a minimum wall thickness of .25". The body shall have a double wall at the top cover seat area with a minimum thickness of .187". The cover seat area shall have 30 structural support ribs on the underside of the seat, each with a minimum thickness of 3/16". The bottom of the body shall have a 1" flange. The 12"x 17" cover shall have a minimum thickness of .250". NDS meter boxes and covers are injection molded of structural foam recycled polyolefin material with a melt index between 10-12. Coloring and UV stabilizers are added, along with processing lubricants when needed.



Product is not to be installed in concrete and is not to be used in vehicular applications. Weights and dimensions are nominal.

Part Number	Box Description	Cover Description	Cover Type	Color (Box/Cover)	Weight Ea
<b>Drop In Box &amp; Cover</b>					
D12-BAMR	12"x17"x12" Box	Drop-in Locking Cover - Water Meter	Solid Plastic, Single Bottom Mount AMR Bracket	Black/Black	8.90
D12-TAMR	12"x17"x12" Box	Drop-in Locking Cover - Water Meter	Solid Plastic, Single 2" AMR/TR Hole w/ 7" Top Recess	Black/Black	9.22
D12NB-TAMR	12"x17"x12" Box	Drop-in Cover - Water Meter	Solid Plastic, Single 2" AMR/TR Hole w/ 7" Top Recess	Black/Black	9.22
D1200-DITR	12"x17"x12" Box	Drop-in Cover - Water Meter	Solid Plastic, Single 2" AMR/TR Hole	Black/Black	9.00
D1200-DIRTR	12"x17"x12" Box	Drop-in Meter Reader Cover - Water Meter	Plastic Cover, Plastic Reader, Single 2" AMR/TR Hole	Black/Black	9.00
<b>Overlapping Box &amp; Cover</b>					
D1200-OLTR	12"x17"x12" Box	Overlapping Cover - Water Meter	Solid Plastic, Single 2" AMR/TR Hole	Black/Black	9.20
D1200-OLRTR	12"x17"x12" Box	Overlapping Meter Reader Cover - Water Meter	Plastic w/ Plastic Reader, Single 2" AMR/TR Hole	Black/Black	9.40
D12AMR-OLLOC	12"x17"x12" Box	Overlapping Cover - Water Meter	Solid Plastic, Single 4" Top Recess	Black/Black	9.60
D12AMR-OLLOCTR	12"x17"x12" Box	Overlapping Cover - Water Meter	Solid Plastic, Single 1.75" AMR/TR Hole w/ 4" Top Recess	Black/Black	9.60
<b>Drop In Cover Only</b>					
D12-BAMRL		12"X17" Drop-in Locking Cover - Water Meter	Solid Plastic, Single Bottom Mount AMR Bracket	Black	2.10
D12-TAMRL		12"x17" Drop-in Locking Cover - Water Meter	Solid Plastic, Single 2" AMR/TR Hole w/ 7" Top Recess	Black	2.42
D12NB-TAMRL		12"x17" Drop-in Cover - Water Meter	Solid Plastic, Single 2" AMR/TR Hole w/ 7" Top Recess	Black	2.42
D1200-DITRL		12"x17" Drop-in Cover - Water Meter	Solid Plastic, Single 2" AMR/TR Hole	Black	2.20
D1200-DIRTRL		12"x17" Drop-in Meter Reader Cover - Water Meter	Plastic Cover, Plastic Reader w/ 2" AMR/TR Hole	Black	2.20
<b>Overlapping Cover Only</b>					
D1200-OLTRL		12"x17" Overlapping Cover - Water Meter	Solid Plastic w/ 2" AMR/TR Hole	Black	2.40
D1200-OLRTRL		12"x17" Overlapping Meter Reader Cover - Water Meter	Plastic w/ Plastic Reader, Single 2" AMR/TR Hole	Black	2.60
D12AMR-OLLOCL		12"x17" Overlapping Cover - Water Meter	Solid Plastic, Single 4" Top Recess	Black	2.80
D12AMR-OLLOCTRL		12"x17" Overlapping Cover - Water Meter	Solid Plastic, Single 1.75" AMR/TR Hole w/ 4" Top Recess	Black	2.80
<b>Box Only</b>					
D1200-B/O	12"x17"x12" Box			Black	6.80
D1200-DUB/O	12"x17"x12" Dual Pipe Slot Box			Black	7.00
D1200-BDB/O	12"x17"x12" Standard Bolt Down Box			Black	7.00
D600E-EXT	12"x17"x6" Extension			Black	4.20
D600E-BDEXT	12"x17"x6" Extension with Bolt Device			Black	4.25
D1800-B/O	12"x17"x18" Box			Black	10.00
<b>Accessories</b>					
BOLT #3/8 PENTA	3/8" X 16" X 2-1/4" SS Penta Head Bolt			Steel	0.10

Call for additional options and availability

### Properties of Unfoamed Resin

	ASTM Test Method	Polyolefin
Tensile Strength, Yield	ASTM D 638	3100-4400 PSI
Density	ASTM D 792	.900-.956
Notched Izod Impact Strength	ASTM D 256	4-15 ft. lbs/in.
Heat Deflection Temperature @ 66 PSI, Degrees F.	ASTM D 648	165-212 degrees F.

### Shipping Configuration

	Box	Cover
Pallet	72	216
Pieces per Stack	12	21
Stack per Pallet	6	10
Pallet Dimensions	42"x48"x48"	42"x42"x42"



### NDS Technical Services

851 N. Harvard Ave  
Lindsay, CA 93247  
Phone: (888) 825-4716  
(559) 562-9888  
Fax: (800) 726-1998  
(559) 562-4488

TechService@ndspro.net  
[www.NDSPRO.com](http://www.NDSPRO.com)