

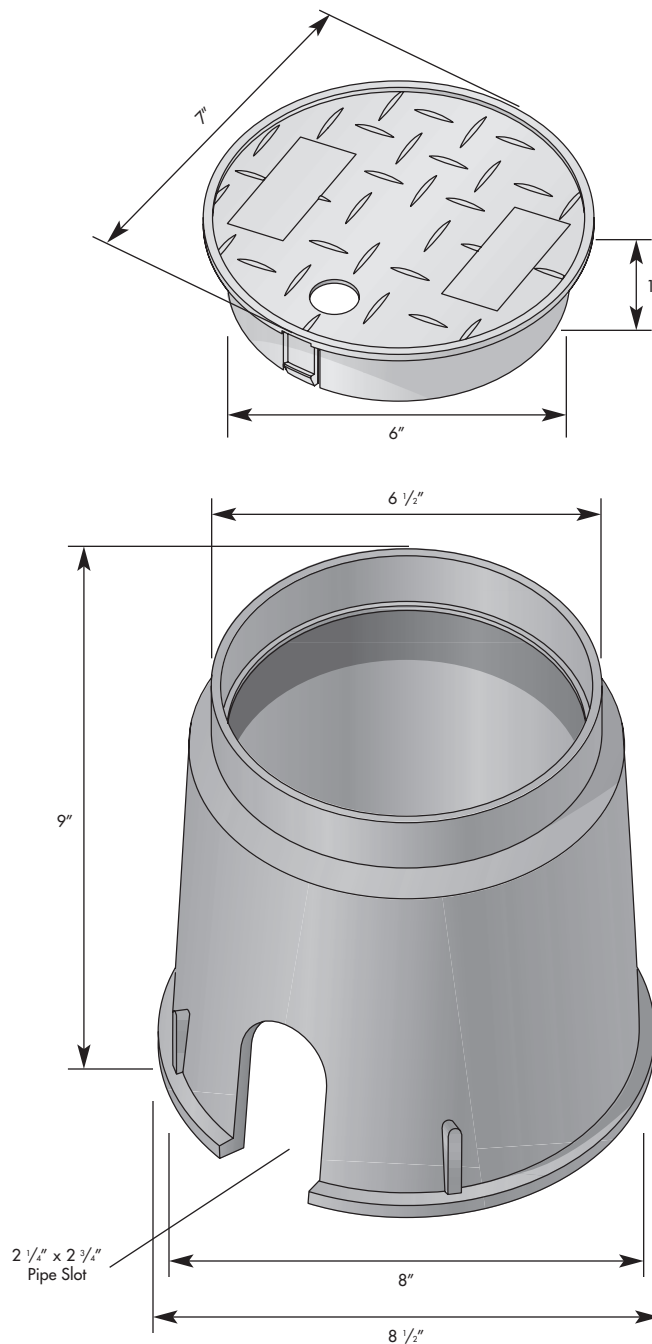
NDS D109 Meter Boxes

NDS METER BOX SPEC

Standard Commercial Grade

NDS 6" round meter boxes and covers are injection molded of recycled polyolefin material with a melt index between 10-12. Coloring and UV stabilizers are added, along with processing lubricants when needed.

The 6" round body shall be tapered and have a minimum wall thickness of .13". The body shall have a double wall at the top cover seat area with a minimum thickness of .125". The bottom of the body shall have a .25" flange. The 6" round cover shall have an average thickness of .15".



Part Number	Box Description	Cover Description – Marking	Cover Type	Color (Box/Cover)	Weight (lbs)
Box & Cover					
D109-B	6" Round Box	Overlapping Cover - Water Meter	Solid Plastic	Black/Black	1.21
D109-P	6" Round Box	Overlapping Cover - Reclaimed Water	Solid Plastic	Purple/Purple	1.21
Cover Only					
D109-BL		6" Round Overlapping Cover - Water Meter	Solid Plastic	Black	0.40
D109-PL		6" Round Overlapping Cover - Reclaimed Water	Solid Plastic	Purple	0.40
Box Only					
D109-B/O	6" Round Box			Black	0.80

Call for additional options and availability

Properties of Unfoamed Resin		
	ASTM Test Method	Polyolefin
Tensile Strength, Yield	ASTM D 638	3400-4400 PSI
Density	ASTM D 792	.900-.956
Notched Izod Impact Strength	ASTM D 256	1.5-15 ft. lbs/in.
Heat Deflection Temperature @ 66 PSI, Degrees F.	ASTM D 648	150-212 degrees F.

Shipping Configuration	
	Box & Cover
Pallet Qty.	600
Pieces Per Stack	24
Stacks Per Pallet	25
Pallet Dimensions	42" x 48" x 53"



NDS Technical Services

851 N. Harvard Ave

Lindsay, CA 93247

Phone: (888) 825-4716

(559) 562-9888

Fax: (800) 726-1998

(559) 562-4488

TechService@ndspro.net

www.NDSPRO.com