

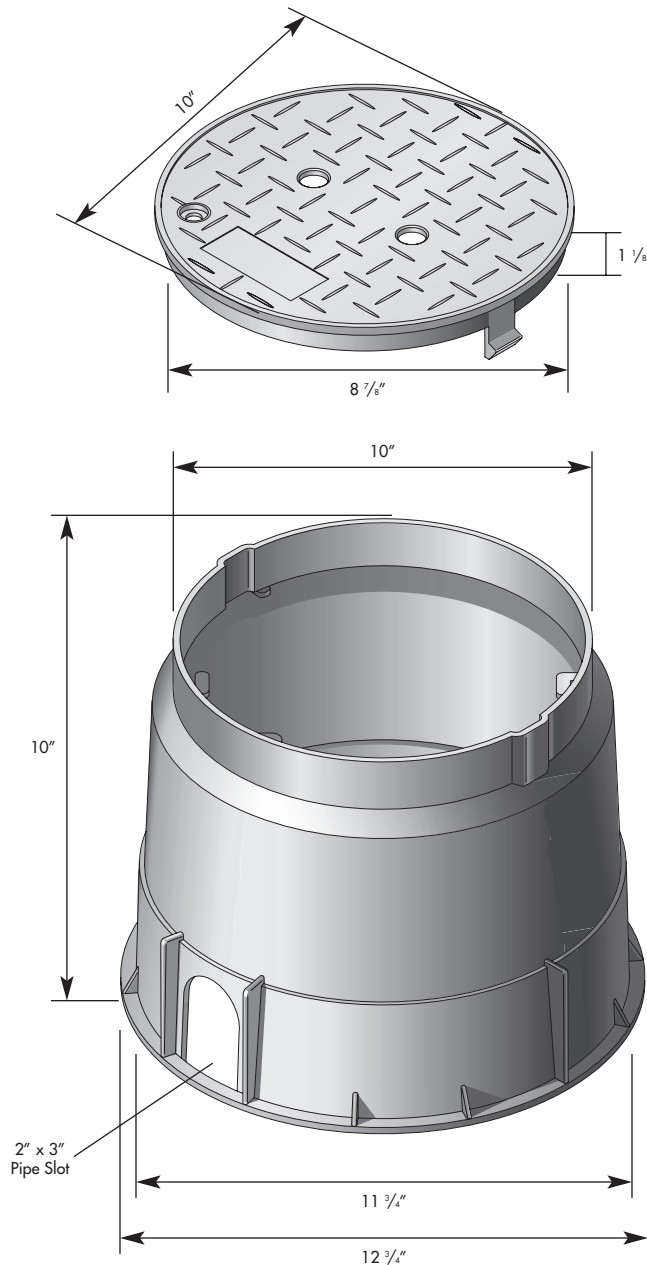
NDS D1100 Meter Boxes

NDS METER BOX SPEC

Standard Commercial Grade

NDS 10" round meter boxes and covers are injection molded recycled polyolefin material with a melt index between 10-12. Coloring and UV stabilizers are added, along with processing lubricants when needed.

The 10" round body shall be tapered and have a minimum wall thickness of .20". The body shall have a cover seat area with a minimum thickness of .20". The bottom of the body shall have a .50" flange. The 10" round cover shall have an average thickness of .20".



Part Number	Box Description	Cover Description - Marking	Cover Type	Color (Box/Cover)	Weight (lbs)
Box & Cover					
D1100-SB	10" Round Box	Overlapping Cover - Water Meter	Solid Plastic	Black/Black	3.00
D1100-SGWTR	10" Round Box	Overlapping Cover - Water Meter	Solid Plastic	Black/Green	3.00
D1100P-SP	10" Round Box	Overlapping Cover - Reclaimed Water	Solid Plastic	Purple/Purple	3.00
D1100-SP	10" Round Box	Overlapping Reclaimed Cover - Reclaimed Water	Solid Plastic	Black/Purple	3.00
D1100-BD-SB	10" Round Box	Bolt Down Overlapping Cover - Water Meter	Solid Plastic	Black/Black	3.20
D1100P-BDSP	10" Round Box	Bolt Down Overlapping Reclaimed Cover - Reclaimed Water	Solid Plastic	Purple/Purple	3.20
D1100-SBSWR	10" Round Box	Overlapping Cover - Sewer	Solid Plastic	Black/Black	3.00
D1100-SGSWR	10" Round Box	Overlapping Cover - Sewer	Solid Plastic	Black/Green	3.00
Cover Only					
D1100-SBL		10" Round Overlapping Cover - Water Meter	Solid Plastic	Black	0.80
D1100-SGWTRL		10" Round Overlapping Cover - Water Meter	Solid Plastic	Green	0.80
D1100-SPL		10" Round Overlapping Cover - Reclaimed Water	Solid Plastic	Purple	0.80
D1100-SBSWRL		10" Round Overlapping Cover - Sewer	Solid Plastic	Black	0.80
D1100-SGSWRL		10" Round Overlapping Cover - Sewer	Solid Plastic	Green	0.80
Box Only					
D1100-B/O	10" Round Box			Black	2.20
D1100P-B/O	10" Round Box			Purple	2.20
D1100P-BDB/O	10" Round Box			Purple	2.40

Call for additional options and availability

Properties of Unfoamed Resin		
	ASTM Test Method	Polyolefin
Tensile Strength, Yield	ASTM D 638	3400-4400 PSI
Density	ASTM D 792	.900-.956
Notched Izod Impact Strength	ASTM D 256	1.5-15 ft. lbs/in.
Heat Deflection Temperature @ 66 PSI, Degrees F.	ASTM D 648	150-212 degrees F.

Shipping Configuration	
	Box & Cover
Pallet Qty.	99
Pieces Per Stack	11
Stacks Per Pallet	9
Pallet Dimensions	42" x 42" x 52"



NDS Technical Services

851 N. Harvard Ave
Lindsay, CA 93247
Phone: (888) 825-4716
(559) 562-9888
Fax: (800) 726-1998
(559) 562-4488
TechService@ndspro.net
www.NDSPRO.com