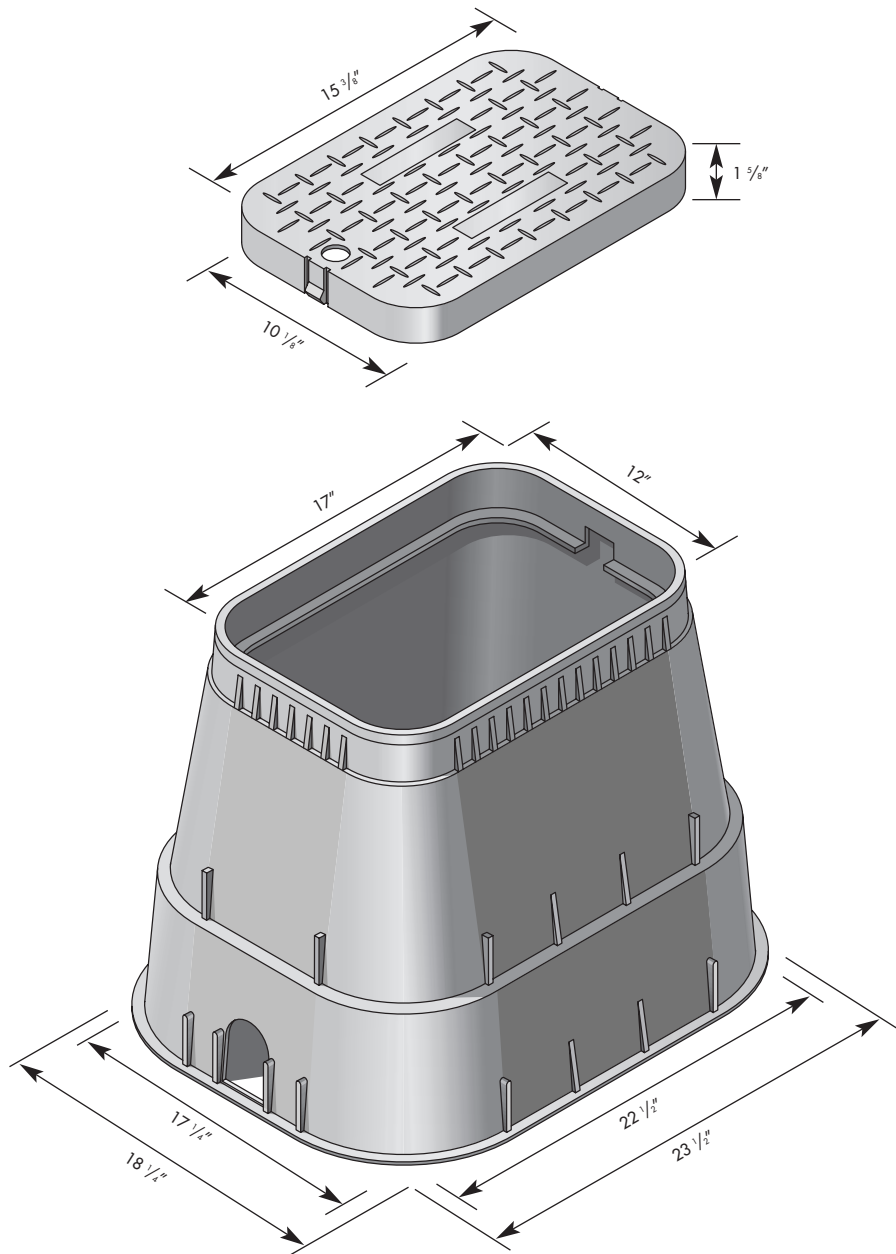


## NDS D1800 Rectangular Meter Boxes

### NDS METER BOX SPEC

NDS 12"x17" meter boxes and covers are injection molded of structural foam recycled polypropylene material with a melt index between 10-12. Coloring and UV stabilizers are added, along with processing lubricants when needed.

The 12"x17" body shall be tapered and have a minimum wall thickness of .25". The body shall have a double wall at the top cover seat area with a minimum thickness of .22". The cover seat area shall have 26 structural support ribs on the underside of the seat, each with a minimum thickness of .12". The bottom of the body shall have a .50" flange. The 12"x17" cover shall have an average thickness of .20".



Product is not to be installed in concrete and is not to be used in vehicular applications. Weights and dimensions are nominal.

Part Number	Box Description	Cover Description – Marking	Cover Type	Color (Box/Cover)	Weight (lbs)
<b>Drop In Box &amp; Cover</b>					
D1800-DISB	12"x17"x18" Box	Drop-in Cover - Water Meter	Solid Plastic	Black/Black	
D1800-DIRB	12"x17"x18" Box	Drop-in Meter Reader Cover - Water Meter	Plastic w/ Plastic Reader	Black/Black	
D1800-DICIR	12"x17"x18" Box	Drop-in Meter Reader Cover - Water Meter	Plastic w/ Cast Iron Reader	Black/Black	
<b>Drop In Cover Only</b>					
D1200-DISBL		12"x17" Drop-in Cover - Water Meter	Solid Plastic	Black	
D1200-DIRBL		12"x17" Drop-in Meter Reader Cover - Water Meter	Plastic w/ Plastic Reader	Black	
D1200-DICIRLID		12"x17" Drop-in Meter Reader Cover - Water Meter	Plastic w/ Cast Iron Reader	Black	
<b>Box Only</b>					
D1800-B/O	12"x17"x18" Box			Black	

Call for additional options and availability

<b>Properties of Unfoamed Resin</b>		
	<b>ASTM Test Method</b>	<b>Polypropylene</b>
Tensile Strength, Yield	ASTM D 638	3300 psi
Density	ASTM D 792	0.915
Durometer, Shore D	ASTM D 2240	66
Flexural Modulus	ASTM D 790	191,000 psi
Notched Izod Impact Strength @ 23 degrees C.	ASTM D 256	1.43 ft. lbs/in.
Notched Izod Impact Strength @ 18 degrees C.	ASTM D 256	6.8 ft. lbs/in.
Heat Deflection Temperature @ 66 PSI, Degrees F.	ASTM D 648	209 degrees F.

<b>Shipping Configuration</b>	
<b>Pallet</b>	48
<b>Pieces Per Stack</b>	12
<b>Stack Per Pallet</b>	4
<b>Pallet Dimensions</b>	42" x 42" x 52"



**NDS Customer Service**

851 N. Harvard Ave  
Lindsay, CA 93247

Phone: (800) 726-1994  
(559) 562-9888

Fax: (800) 726-1998  
(559) 562-4488

[www.NDSPRO.com](http://www.NDSPRO.com)