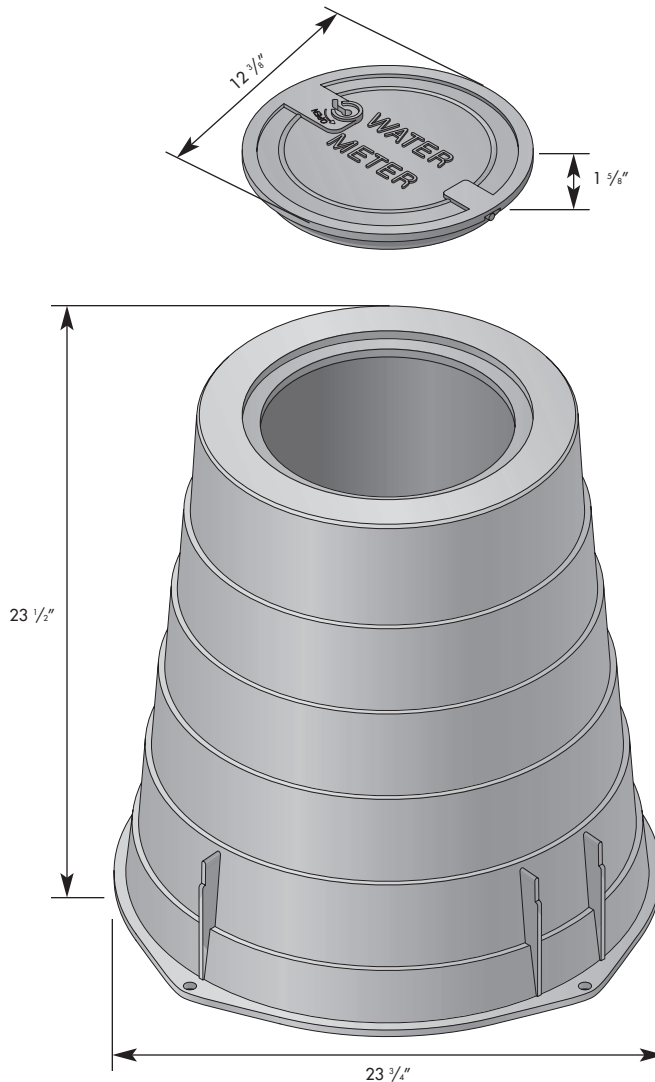


NDS D2400 Meter Pit

NDS D2400 ROUND METER PITS

NDS 16" round meter pits and covers are injection molded of structural foam recycled polypropylene material with a melt index between 10-12. Coloring and UV stabilizers are added, along with processing lubricants when needed. The 16" round meter pit body shall be tapered and have a minimum wall thickness of .2615". The body shall have a double wall at the top cover seat area with a minimum thickness of .2780". The cover seat area shall have 8 structural support ribs on the underside of the seat, each with a minimum thickness of .0995". The bottom of the body shall have a 1/2" flange which flares to 1-1/4" at bolt hole. The 12 3/8" cover shall have an average thickness of .3/8".



Part Number	Box Description	Cover Description – Marking	Cover Type	Color (Box/Cover)	Weight (lbs)
Box & Cover					
D2400-12LOCSB	12" Meter Pit	Overlapping Locking Cover - Water Meter	Solid Plastic	Black/Black	17.53
D2400-18LOCSB	18" Meter Pit	Overlapping Locking Cover - Water Meter	Solid Plastic	Black/Black	11.40
D2400-LOCSB	24" Meter Pit	Overlapping Locking Cover - Water Meter	Solid Plastic	Black/Black	17.53
D2400-30LOCSB	30" Meter Pit	Overlapping Locking Cover - Water Meter	Solid Plastic	Black/Black	32.19
D2400-36LOCSB	36" Meter Pit	Overlapping Locking Cover - Water Meter	Solid Plastic	Black/Black	32.20
Cover Only					
D2400-LOCSWBL		Overlapping Locking Cover - Water Meter	Solid Plastic	Black	1.60
D2400-CIL		Overlapping Cover - Water Meter	Solid Cast Iron	Black	2.86
Box Only					
D2400-12 B/O	12" Meter Pit			Black	14.67
D2400-18 B/O	18" Meter Pit			Black	9.80
D2400-B/O	24" Meter Pit			Black	14.00
D2400-30B/O	30" Meter Pit			Black	29.34
D2400-6EXT	6" Meter Pit Extension			Black	14.67
D2400-12EXT	12" Meter Pit Extension			Black	14.67

Call for additional options and availability

Properties of Unfoamed Resin		
	ASTM Test Method	Polyolefin
Tensile Strength, Yield	ASTM D 638	3100-4400 PSI
Density	ASTM D 792	.900-.956
Notched Izod Impact Strength	ASTM D 256	4-15 ft. lbs/in.
Heat Deflection Temperature @ 66 PSI, Degrees F.	ASTM D 648	165-212 degrees F.

Shipping Configuration	
	Box & Cover
Pallet Qty.	52
Pieces Per Stack	13
Stacks Per Pallet	4
Pallet Dimensions	42" x 48" x 92"



NDS Customer Service

851 N. Harvard Ave
Lindsay, CA 93247

Phone: (800) 726-1994
(559) 562-9888

Fax: (800) 726-1998
(559) 562-4488

www.NDSPRO.com