

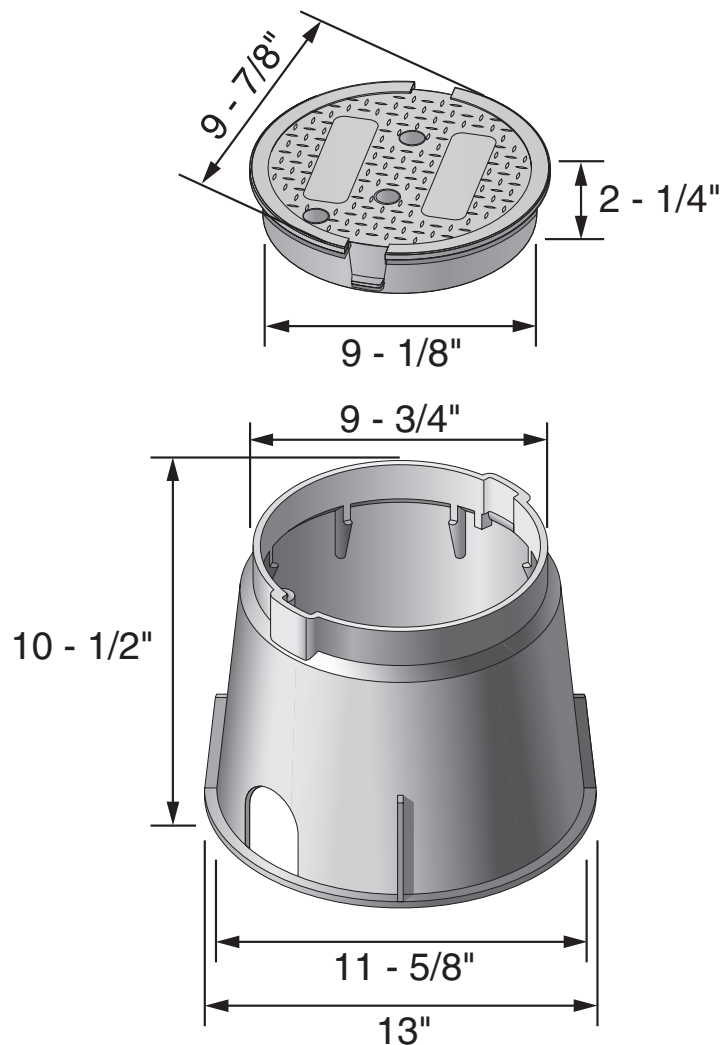
NDS 10" Round Meter Boxes

NDS 10" Round Meter Boxes

Premium Commercial Grade

Specifications: The NDS 10" round meter boxes and covers are injection molded of structural foam polyolefin material with a melt index between 10-12. Coloring and UV stabilizers are added, along with processing lubricants when needed.

The 10" round body shall be tapered and have a minimum wall thickness of .30". The cover seat area shall have 8 structural support ribs on the underside of the seat, each with a minimum thickness of .25". The bottom of the body shall have a .50" flange. The 10" round cover shall have an average thickness of .30".



2-1/2" x 2-3/4" Pipe Slot

Part Number	Box Description	Cover Description - Marking	Color (Box/Cover)	Pallet Qty	Weight Ea
Box & Cover					
211BCW	10" Round Box	Overlapping Water Solid Plastic Cover - Water Meter	Black/Black	120	4.50
211PBCR	10" Round Box	Overlapping Reclaimed Solid Plastic Cover - Water Meter	Purple/Purple	120	4.50
111BCS	10" Round Box	Overlapping Solid Plastic Cover - Sewer	Black/Green	180	4.00
212BCRG	10" Round Box	Overlapping Solid Plastic Cover - Reclaimed Water	Green/Green	120	4.50
212BCS	10" Round Box	Round Overlapping Solid Plastic Cover - Sewer	Green/Green	120	4.50
212BCBS	10" Round Box	Round Overlapping Bolt-Down Solid Plastic Cover - Sewer	Green/Green	120	4.60
212BC CATV	10" Round Box	Overlapping Solid Plastic Cover - CATV	Black/Black	120	4.50
212BCB CATV	10" Round Box	Overlapping Bolt-Down Solid Plastic Cover - CATV	Black/Black	120	4.60
212BC ELEC	10" Round Box	Overlapping Solid Plastic Cover - Electrical	Gray/Gray	120	4.50
212BCB ELEC	10" Round Box	Overlapping Bolt-Down Solid Plastic Cover - Electrical	Gray/Gray	120	4.60
212BC TELE	10" Round Box	Overlapping Solid Plastic Cover - Telephone	Black/Black	120	4.50
212BCB TELE	10" Round Box	Overlapping Bolt-Down Solid Plastic Cover - Telephone	Black/Black	120	4.60
Cover Only					
211CW		10" Overlapping Water Solid Plastic Cover - Water Meter	Black	200	1.50
211CR		10" Overlapping Reclaimed Solid Plastic Cover - Water Meter	Purple	200	1.50
111CS		10" Round Overlapping Solid Plastic Cover - Sewer	Green	300	1.00
211CRG		10" Round Overlapping Solid Plastic Cover - Reclaimed Water	Green	200	1.50
211CS		10" Round Overlapping Solid Plastic Cover - Sewer	Green	200	1.50
211C CATV		10" Overlapping Solid Plastic Cover CATV	Black	200	1.50
211C ELEC		10" Overlapping Solid Plastic Cover Electrical	Gray	200	1.50
211C TELE		10" Overlapping Solid Plastic Cover Telephone	Black	200	1.50
Box Only					
211B	10" Round Box		Black	120	3.00
212PB	10" Round Box		Purple	120	3.00
212B	10" Round Box		Green	120	3.00
212B BLK	10" Round Box		Black	120	3.00
212B GRAY	10" Round Box		Gray	120	3.00
211BB	Bolt		Steel		0.10

Call for additional options and availability

Properties of Unfoamed Resin

	ASTM Test Method	Polyolefin
Tensile Strength, Yield	ASTM D 638	3100-4400 PSI
Density	ASTM D 792	.900-.956
Notched Izod Impact Strength	ASTM D 256	4-15 ft. lbs/in.
Heat Deflection Temperature @ 66 PSI, Degrees F.	ASTM D 648	165-212 degrees F.

Shipping Configuration

	Box & Cover
Pallet	120
Pieces per Stack	10
Stack per Pallet	12
Pallet Dimensions	40"x52"x54"



NDS Customer Service

851 N. Harvard Ave
Lindsay, CA 93247
Phone: (800) 726-1994
(559) 562-9888
Fax: (800) 726-1998
(559) 562-4488

www.NDSPRO.com