

NDS PRO SERIES PLUS VALVE BOXES

NEXT GENERATION COMMERCIAL GRADE

Pro Series Plus

The NDS Pro Series Plus line is the next generation of valve boxes, ideal for the specification market. These boxes are engineered with unique corrugated sidewalls that provide added strength to the boxes while reducing material and weight, allowing us to price the Pro Series Plus line to be less overall than our Pro Series line. The Pro Series Plus boxes are the strongest in the NDS offering, and also come with reinforced lids. This line is part of the Professional Series family of valve boxes.

DETAILS

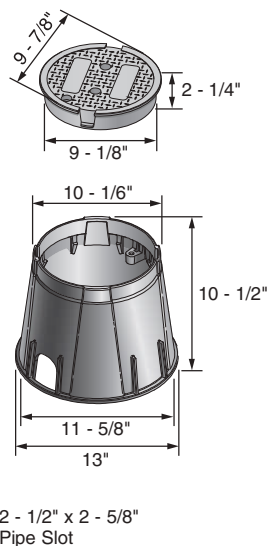
- Corrugated sidewalls provide greater strength
- Specification grade valve boxes for professional applications
- Reinforced covers for heavier loads
- Stainless steel nut on boxes for bolt-down capability

MATERIALS AND STANDARDS

- High-impact, high-density structural foam polyethylene construction
- Overlapping covers prevent dirt and grass from settling in between body and cover
- UV inhibitors prevent discoloration and cracking

NDS Pro Series Plus 10" Round Corrugated Valve Boxes

Specifications: The NDS PRO SERIES PLUS 10" round valve boxes and covers are injection molded of structural foam polyethylene material with a melt index between 10-12. Coloring and UV stabilizers are added, along with processing lubricants when needed. The 10" round body shall be tapered and have a minimum wall thickness of .250". The cover seat area shall have 8 structural support ribs on the underside of the seat, each with a minimum thickness of .250". The bottom of the body shall have a .500" flange. The 10" round cover shall have an average thickness of .300". The valve box shall have a 3/8" 304 SS nut for the bolt-down as a standard feature.



Part Number	Description - Marking	Color (Box/Cover)	Pallet Qty	Weight Ea	Product Class
Box & Cover					
312BC	10" Round Corrugated Box, Round Overlapping Cover - ICV	Green/Green	132	4.00	20PR
312BCB	10" Round Corrugated Box, Overlapping Bolt-Down Cover - ICV	Green/Green	132	4.10	20PR
312BCSAND	10" Round Corrugated Box, Round Overlapping Cover - ICV	Sand/Sand	132	4.00	20PR
312BCBSAND	10" Round Corrugated Box, Overlapping Bolt-Down Cover - ICV	Sand/Sand	132	4.10	20PR
312PBCR	10" Round Corrugated Box, Round Overlapping Cover - Reclaimed Water	Purple/Purple	132	4.00	20PR
312PBCBR	10" Round Corrugated Box, Overlapping Bolt-Down Cover - Reclaimed Water	Purple/Purple	132	4.10	20PR
Cover Only					
311C	10" Round Overlapping Cover - ICV	Green	200	1.50	20PR
311CSAND	10" Round Overlapping Cover - ICV	Sand	200	1.50	20PR
311CR	10" Round Overlapping Cover - Reclaimed Water	Purple	200	1.50	20PR
Box Only					
312BSAND	10" Round Corrugated Box	Sand	132	2.50	20PR
312PB	10" Round Corrugated Box	Purple	132	2.50	20PR
211BB	2-1/2" x 3/8" SS Bolt	Steel	n/a	0.10	20PR
312B	10" Round Corrugated Box	Green	132	2.50	20PR

Note: All dimensions are nominal. All weights are for shipping purposes only. Availability is subject to change.

NDS PRO SERIES PLUS VALVE BOXES

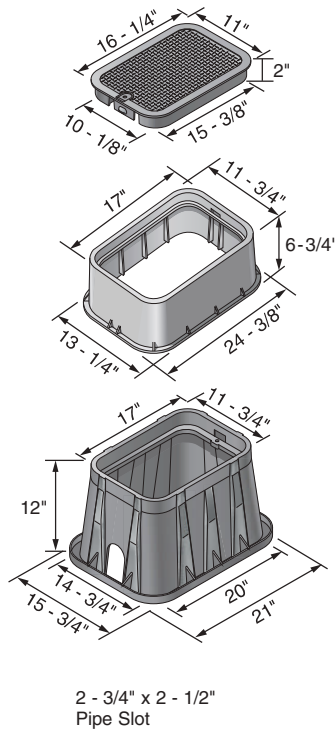
NEXT GENERATION COMMERCIAL GRADE

NDS Pro Series Plus 14" X 19" Corrugated Irrigation Valve Boxes

Specifications: The NDS PRO SERIES PLUS 14"x19" valve boxes and covers are injection molded of structural foam polyethylene material with a melt index between 10-12. Coloring and UV stabilizers are added, along with processing lubricants when needed.

The 14"x19" body shall be tapered and have a minimum wall thickness of .187". The body shall have a double wall at the top cover seat area with a minimum thickness of .200". The cover seat area shall have 18 structural support ribs on the underside of the seat, each with a minimum thickness of .200". The bottom of the body shall have a .500" flange. The 14"x19" cover shall have an average thickness of .200". The valve box shall have a 3/8" 304 SS nut for the bolt-down as a standard feature.

Part Number	Description - Marking	Color (Box/Cover)	Pallet Qty	Weight Ea	Product Class
Box & Cover					
314BC	14"x19" Box, Overlapping Cover - ICV	Green/Green	84	7.30	20PR
314BCB	14"x19" Corrugated Box, Overlapping Bolt-Down Cover - ICV	Green/Green	84	7.40	20PR
314BCNH	14"x19" Corrugated Box w/ No Holes, Overlapping Cover - ICV	Green/Green	84	7.30	20PR
314BCSAND	14"x19" Box, Overlapping Cover - ICV	Sand/Sand	84	7.30	20PR
314BCBSAND	14"x19" Corrugated Box, Overlapping Bolt-Down Cover - ICV	Sand/Sand	84	7.40	20PR
314BNHCWG	14" x 19" Corrugated Box w/No Holes, Overlapping Cover - Reclaimed Water	Purple/Purple	84	7.30	20PR
314PBCR	14"x19" Box, Overlapping Cover - Reclaimed Water	Purple/Purple	84	7.30	20PR
314PBCBR	14"x19" Corrugated Box, Overlapping Bolt-Down Cover - Reclaimed Water	Purple/Purple	84	7.40	20PR
314PBCR NH	14"x19" Corrugated Box w/ No Holes, Overlapping Cover - Reclaimed Water	Purple/Purple	84	7.30	20PR
314BCRBLK	14"x19" Corrugated Box, Overlapping Cover - Reclaimed Water	Black/Black	84	7.30	20PR
Cover Only					
313C	14"x19" Overlapping Cover - ICV	Green	300	2.30	20PR
313CSAND	14"x19" Overlapping Cover - ICV	Sand	300	2.30	20PR
313CR	14"x19" Overlapping Cover - Reclaimed Water	Purple	300	2.30	20PR
313CRG	14"x19" Overlapping Cover - Reclaimed Water	Green	300	2.30	20PR
313CRBLK	14"x19" Overlapping Cover - Reclaimed Water	Black	300	2.30	20PR
Box Only					
314B	14"x19" Box	Green	84	5.00	20PR
314BSAND	14"x19" Box	Sand	84	5.00	20PR
314PB	14"x19" Box	Purple	84	5.00	20PR
314BNH	14"x19" Corrugated Box w/ No Holes	Green	84	5.00	20PR
314PBNH	14"x19" Corrugated Box w/ No Holes	Purple	84	5.00	20PR
214-6	14"x19"x6" Extension	Green	49	4.00	20PR
113BB	2-1/2" x 3/8" SS Bolt	Steel	78	0.10	20NM

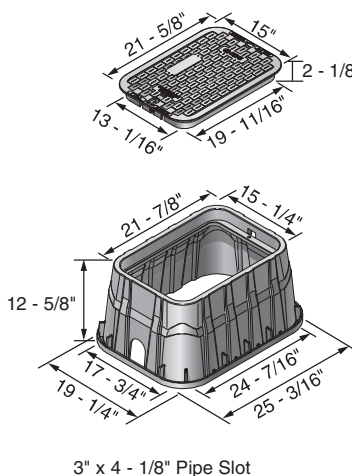


NDS Pro Series Plus 13" X 20" Jumbo Corrugated Valve Boxes

Specifications: The NDS PRO SERIES PLUS 13"x20" valve boxes and covers are injection molded of structural foam polyethylene material with a melt index between 10-12. Coloring and UV stabilizers are added, along with processing lubricants when needed.

The 13"x20" body shall be tapered and have a minimum wall thickness of .250". The body shall have a double wall at the top cover seat area with a minimum thickness of .250". The cover seat area shall have 22 structural support ribs on the underside of the seat, each with a minimum thickness of .130". The bottom of the body shall have a .500" flange. The 13"x20" cover shall have an average thickness of .250". The valve box shall have a 3/8" 304 SS nut for the bolt-down as a standard feature.

Part Number	Description - Marking	Color (Box/Cover)	Pallet Qty	Weight Ea	Product Class
Box & Cover					
318BC	13"x20" Jumbo Box, Overlapping Cover - ICV	Green/Green	56	14.25	20PR
318BCB	13"x20" Corrugated Jumbo Box, Overlapping Bolt-Down Cover - ICV	Green/Green	56	14.35	20PR
318BCSAND	13"x20" Jumbo Box, Overlapping Cover - ICV	Sand/Sand	56	14.25	20PR
318BCBSAND	13"x20" Corrugated Jumbo Box, Overlapping Bolt-Down Cover - ICV	Sand/Sand	56	14.35	20PR
318PBCR	13"x20" Jumbo Box, Overlapping Cover - Reclaimed Water	Purple/Purple	56	14.25	20PR
318PBCBR	13"x20" Corrugated Jumbo Box, Overlapping Bolt-Down Cover - Reclaimed Water	Purple/Purple	56	14.35	20PR
Cover Only					
317C	13"x20" Overlapping Cover - ICV	Green	180	5.05	20PR
317CSAND	13"x20" Overlapping Cover - ICV	Sand	180	5.05	20PR
317CR	13"x20" Overlapping Cover - Reclaimed Water	Purple	180	5.05	20PR
Box Only					
318B	13"x20" Jumbo Box	Green	56	9.20	20PR
318BSAND	13"x20" Jumbo Box	Sand	56	9.20	20PR
318PB	13"x20" Jumbo Box	Purple	56	9.20	20PR
113BB	2-1/2" x 3/8" SS Bolt	Steel	n/a	0.10	20NM



Note: All dimensions are nominal. All weights are for shipping purposes only. Availability is subject to change.