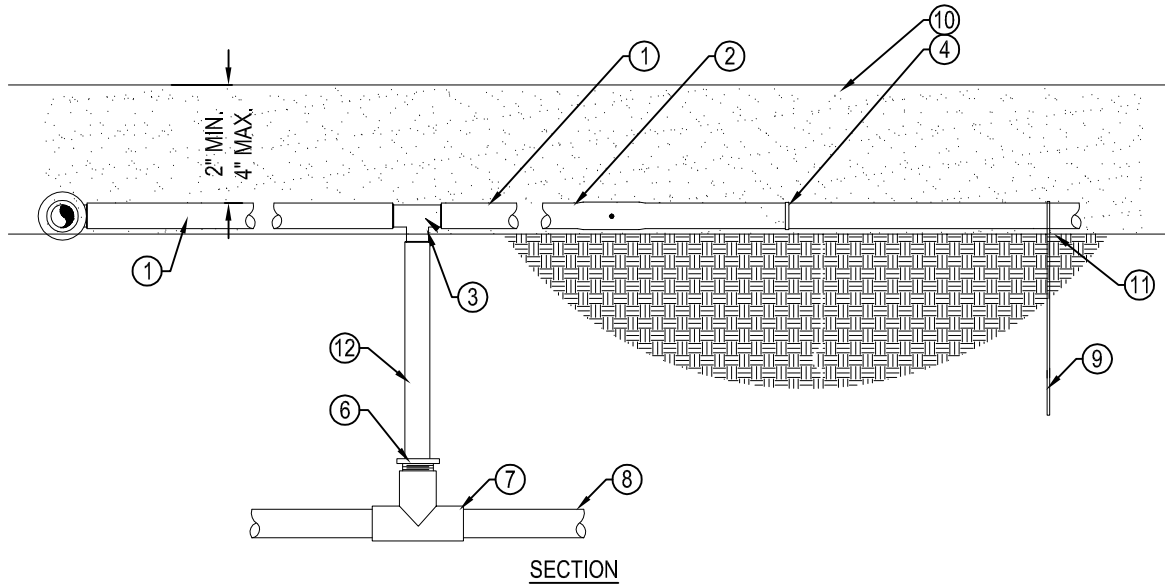


NDS®
We put water in its place

NDS, INC.
851 NORTH HARVARD AVE.
LINDSAY, CA 93247
TOLL FREE: 1-800-726-1994
PHONE: (559) 562-9888
FAX: (559) 562-4488
www.ndspro.com

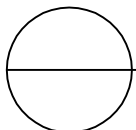


LEGEND:

- ① ON SURFACE DRIP LINE, AGRIFIM DURA-FLO CV
- ② INLINE DRIP EMITTER OUTLET
- ③ BARB "T" FITTING, AGRIFIM T17
- ④ BARB COUPLING FITTING, AGRIFIM C17
- ⑤ BARB "L" FITTING, AGRIFIM EL17
- ⑥ BARB X MALE FITTING, 1/2" AGRIFIM, BTMA 1750
1/4" AGRIFIM, BTMA 1775
- ⑦ PVC "T" SLIP, SLIP. THREAD
- ⑧ PVC LATERAL SUPPLY HEADER
- ⑨ TIE DOWN STAKE, AGRIFIM S8
- ⑩ MULCH
- ⑪ FINISH GRADE
- ⑫ BLANK TUBING LENGTH AS REQUIRED, AGRIFIM A660/BR

NOTES:

1. PLACE TIE-DOWN STAKES EVERY 3'-0" O.C. IN SAND, 4'-0" O.C. IN LOAM AND 5'-0" O.C. IN CLAY SOILS.
2. AT FITTINGS WHERE THERE IS A CHANGE OF DIRECTION SUCH AS TEES OR ELBOWS, USE TIE-DOWN STAKES ON EACH LEG OF THE CHANGE OF DIRECTION
3. INSTALLATION TO BE COMPLETED IN ACCORDANCE WITH MANUFACTURER'S SPECIFICATIONS.
4. DO NOT SCALE DRAWING.
5. THIS DRAWING IS INTENDED FOR USE BY ARCHITECTS, ENGINEERS, CONTRACTORS, CONSULTANTS AND DESIGN PROFESSIONALS FOR PLANNING PURPOSES ONLY.
6. ALL INFORMATION CONTAINED HEREIN WAS CURRENT AT THE TIME OF DEVELOPMENT BUT MUST BE REVIEWED AND APPROVED BY THE PRODUCT MANUFACTURER TO BE CONSIDERED ACCURATE.



AGRIFIM

DURA-FLO CV - ON-SURFACE DRIPLINE RISER ASSEMBLY