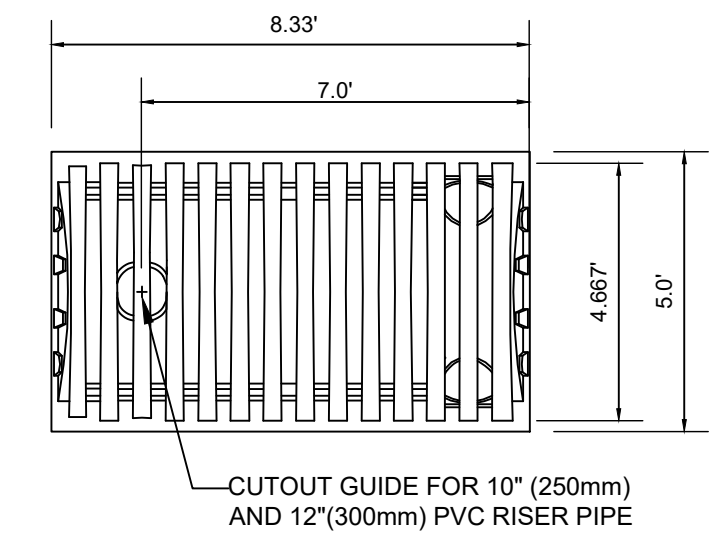
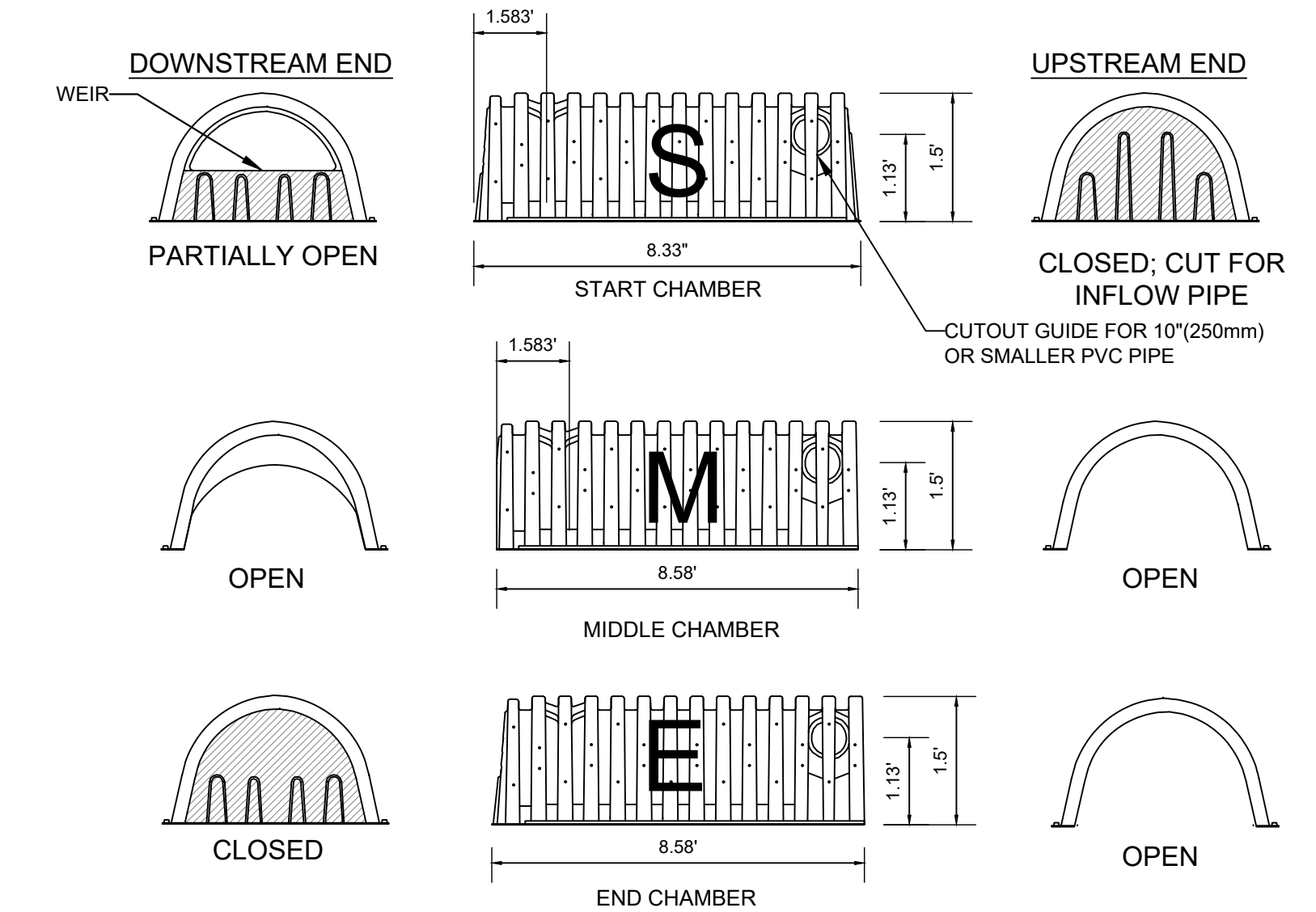


DRAFT

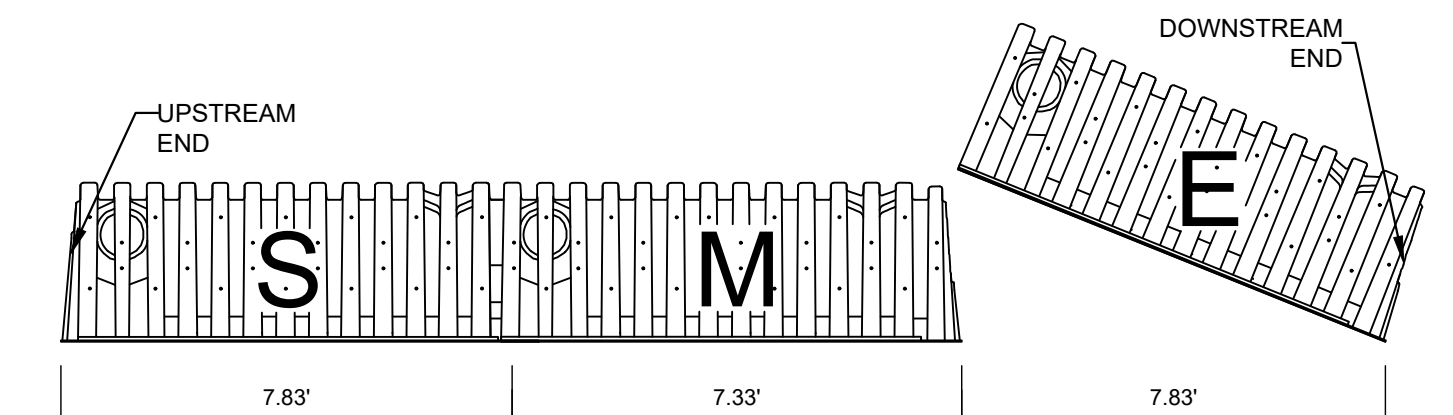
SC-18 DIMENSIONS



PLAN VIEW

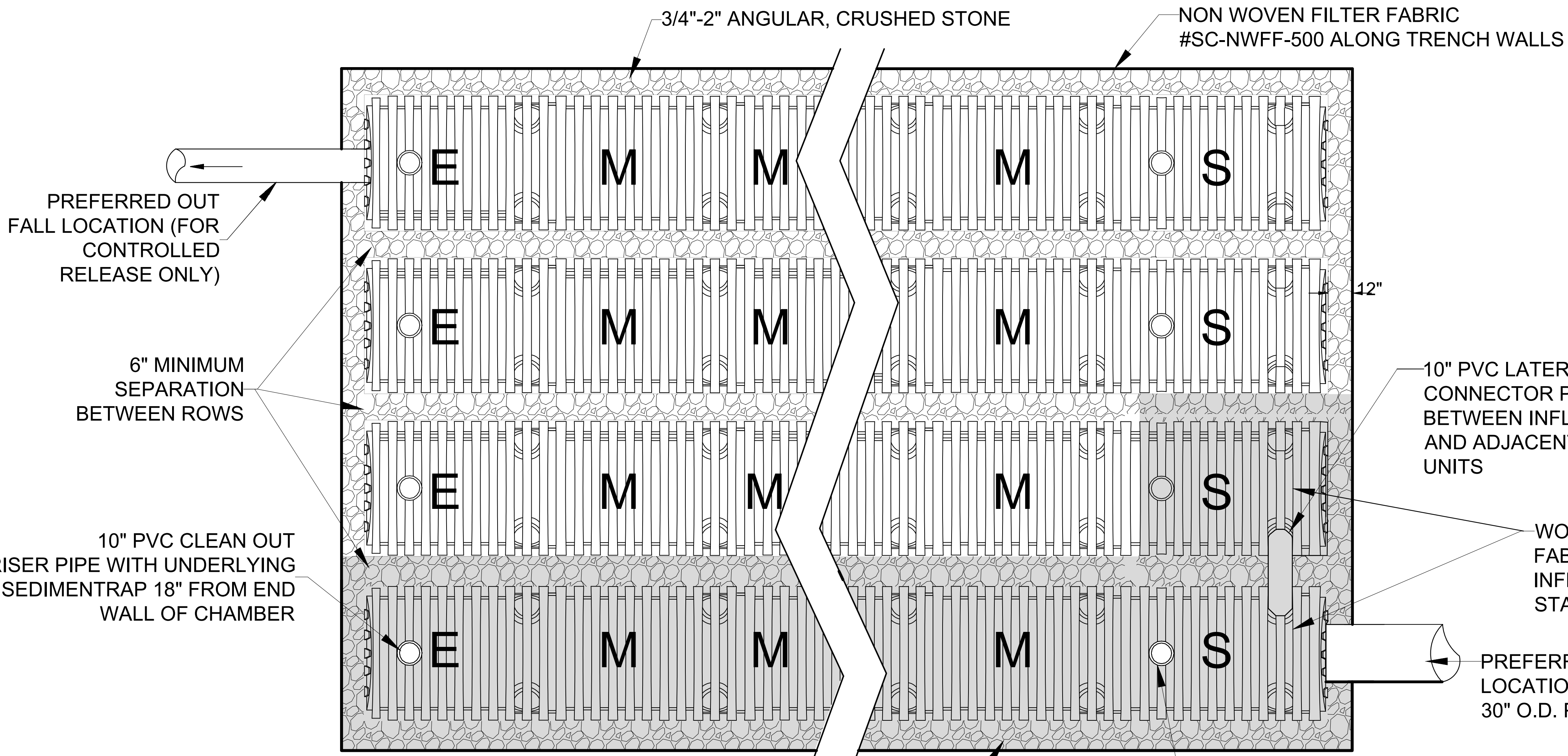


DELIVERY LENGTHS ELEVATION VIEW



INSTALLED LENGTHS ELEVATION VIEW

- NOTES:
1. START CHAMBERS (CLOSED AT THE SIDE PORTAL END) ARE PLACED AT THE INFLOW END OF THE ROWS
 2. BEGIN PLACEMENTS WITH START CHAMBERS AND END ROWS WITH END CHAMBERS.
 3. PLACE FIRST RIB OF THE NEXT CHAMBER IN THE ROW OVER THE LAST RIB OF THE PREVIOUS CHAMBERS.



PLAN VIEW

PREFERRED OUT FALL LOCATION (FOR CONTROLLED RELEASE ONLY)

6" MINIMUM SEPARATION BETWEEN ROWS

10" PVC CLEAN OUT RISER PIPE WITH UNDERLYING SEDIMENTRAP 18" FROM END WALL OF CHAMBER

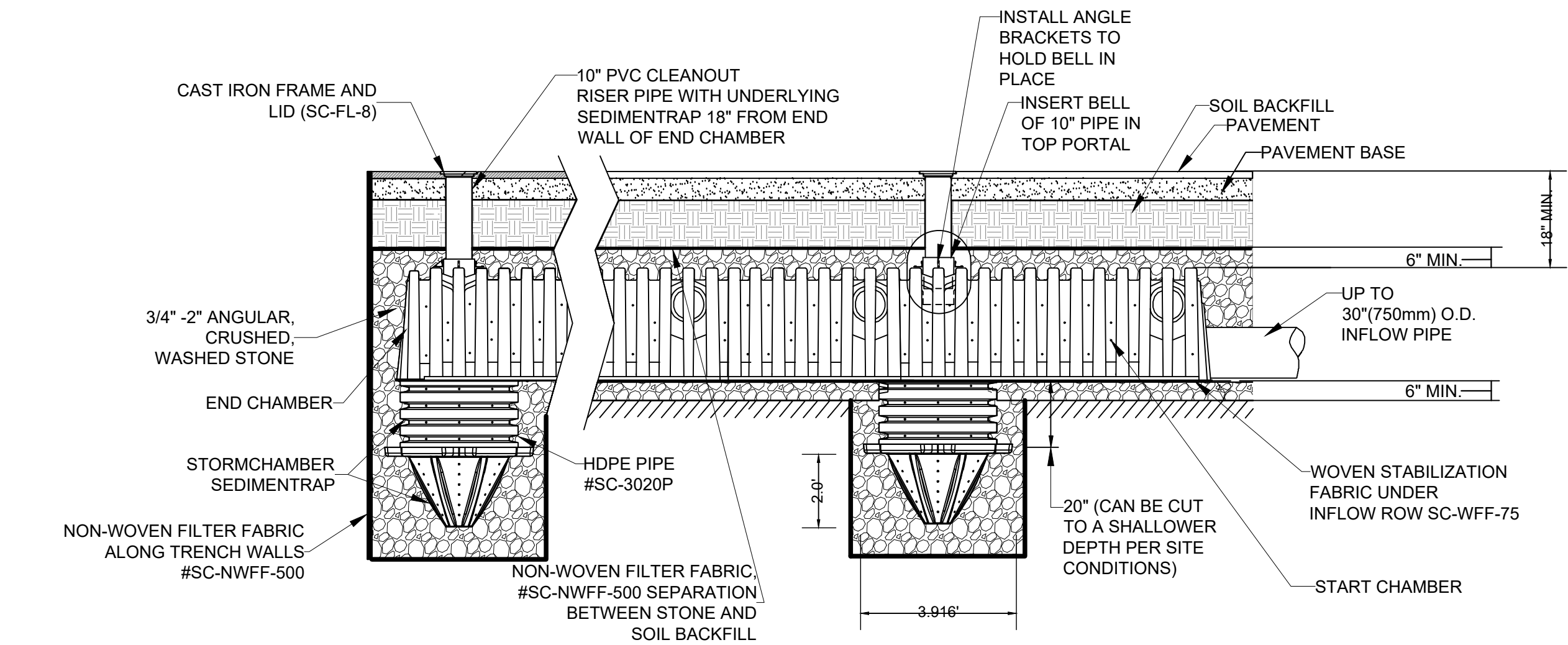
10" PVC LATERAL CONNECTOR PIPE BETWEEN INFLOW AND ADJACENT START UNITS

WOVEN STABILIZATION FILTER FABRIC #SC-WFF-75 UNDER INFLOW AND ADJACENT STARTER UNITS

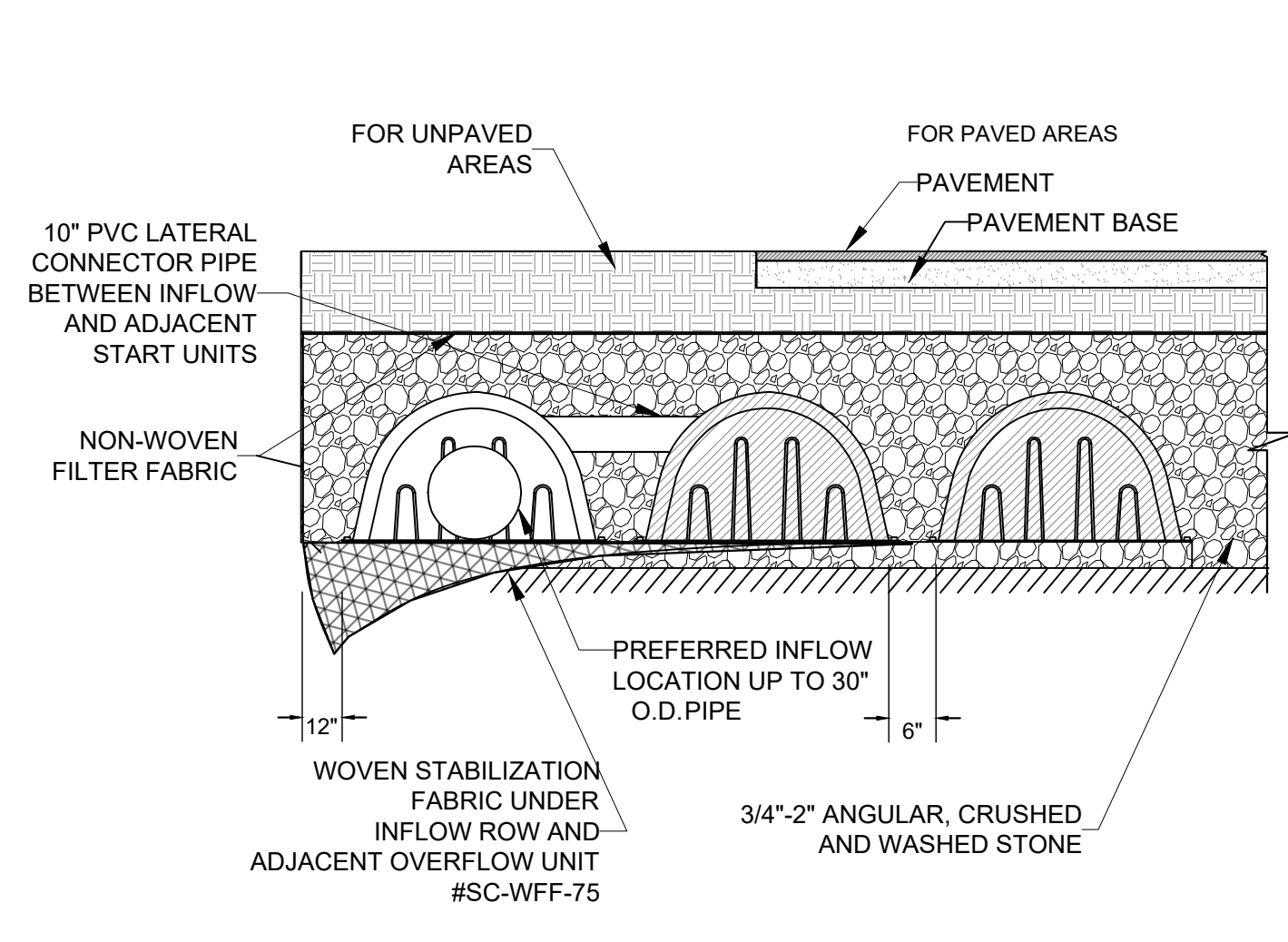
PREFERRED INFLOW LOCATION UP TO 30" O.D. PIPE

WOVEN STABILIZATION FABRIC UNDER INFLOW ROW #SC-WFF-75

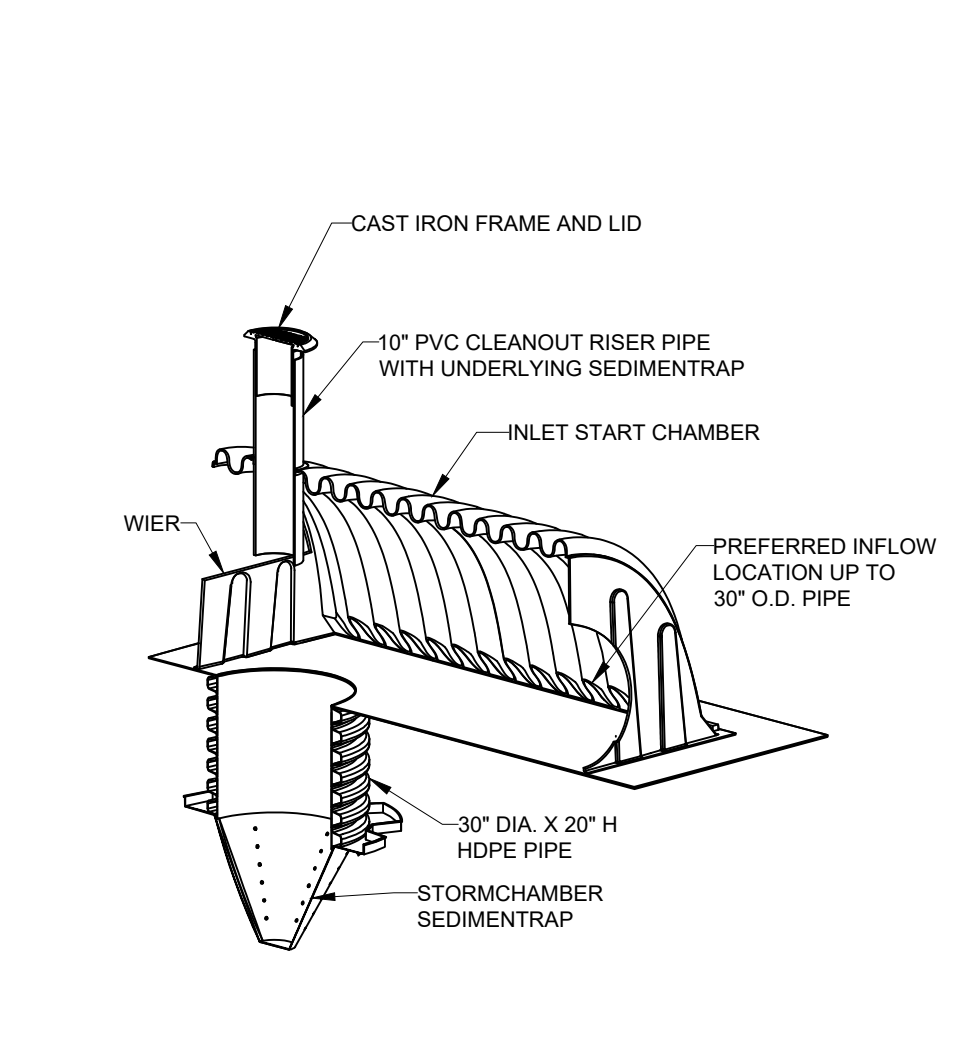
10" PVC CLEAN OUT RISER PIPE WITH UNDERLYING SEDIMENTRAP



TYPICAL FRONT VIEW



TYPICAL END VIEW



START CHAMBER CUTAWAY

MATERIALS LIST			
DESCRIPTION	STOCK CODE	QTY	UNITS
CHAMBERS AND SEDIMENTRAP:			
START CHAMBER	SC-18XX-S		EACH
MIDDLE CHAMBER	SC-18XX-M		EACH
END CHAMBER	SC-18XX-E		EACH
SEDIMENTRAP	SC-ST		EACH
FABRIC:			
NON WOVEN FILTER FABRIC	SC-FF-500		SQ FT
GEOTEXTILE STABILIZATION FABRIC	SC-FF-75		SQ FT
WOVEN SCOUR PROTECTION MAT	SC-FF-10		SQ FT
PIPES:			
30" DIA X 20" H HDPE PIPE ATTACHMENT FOR SEDIMENTRAP	SC-3020P		EACH
10" DIA RISER PIPE	OTHERS		EACH
8" FRAME AND LID	SC-FL-8		EACH
10" DIA LATERAL CONNECTOR PIPE	OTHERS		EACH
EARTHWORK MATERIALS:			
IN-PLACE EXCAVATION (NO BULKING FACTOR)	OTHERS		CU FT
3/4" TO 2" STONE	OTHERS		CU FT

TYPICAL STORM CHAMBER LAYOUT

PROJECT NAME
PROJECT CITY

TO-XXXX

DATE:

DRAWN BY:

REVISION:

