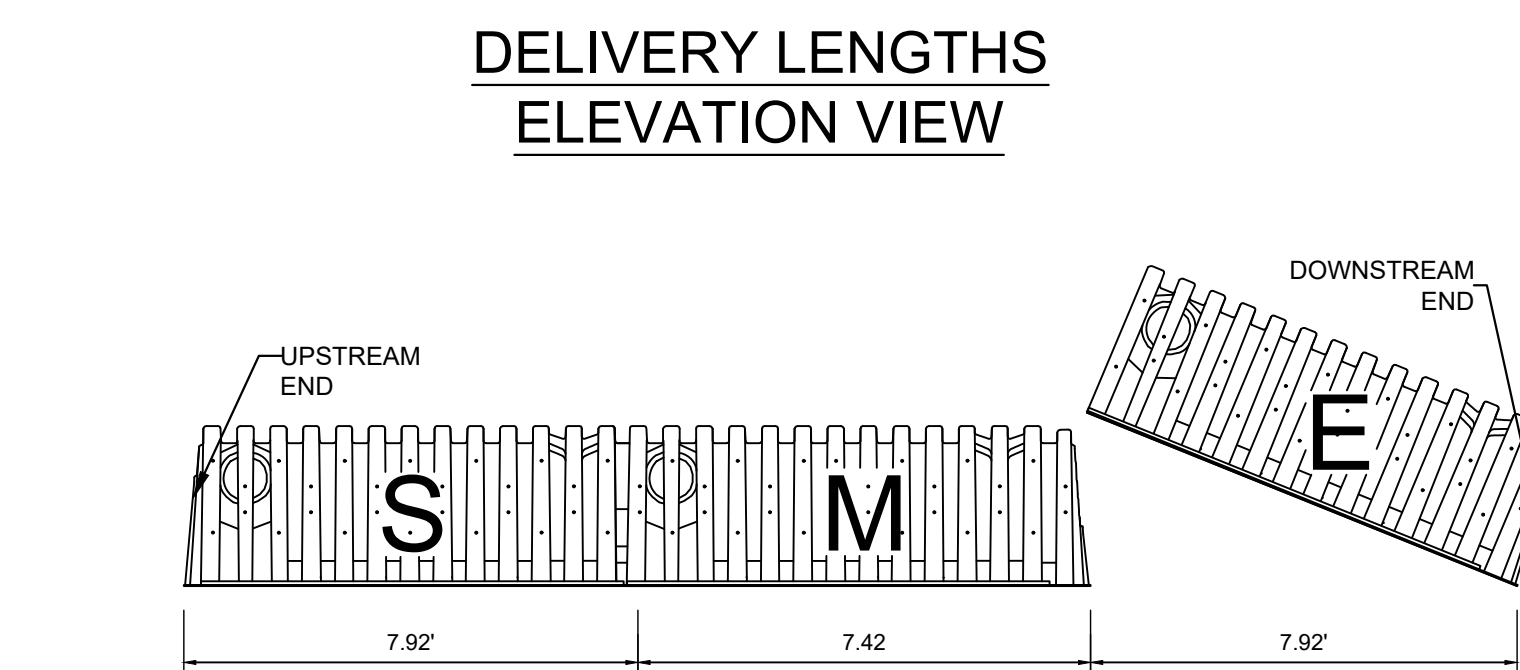
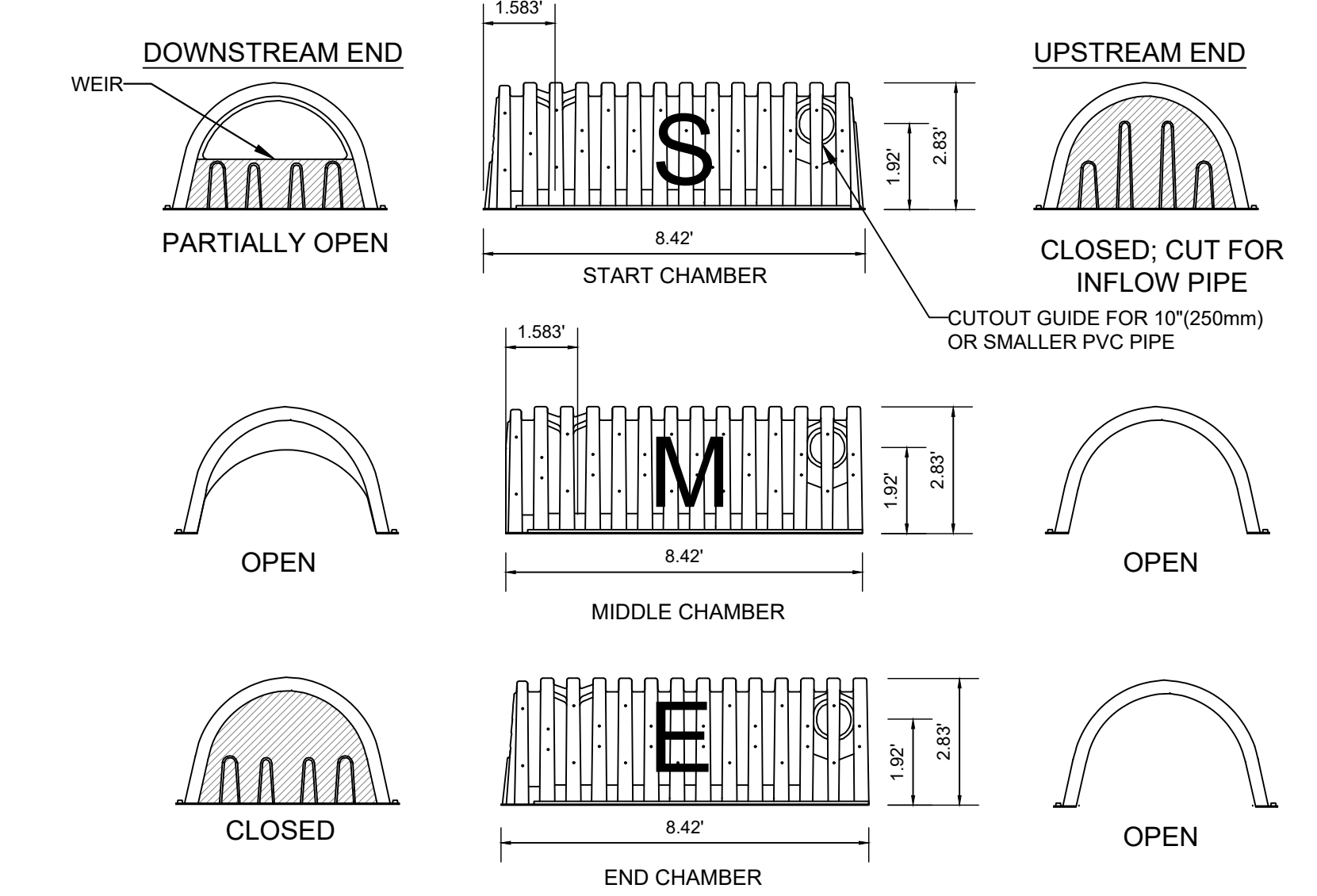
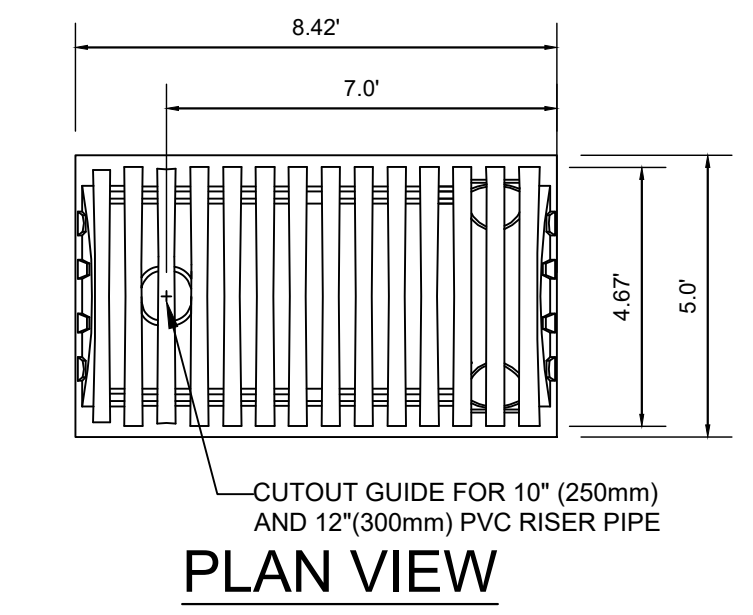
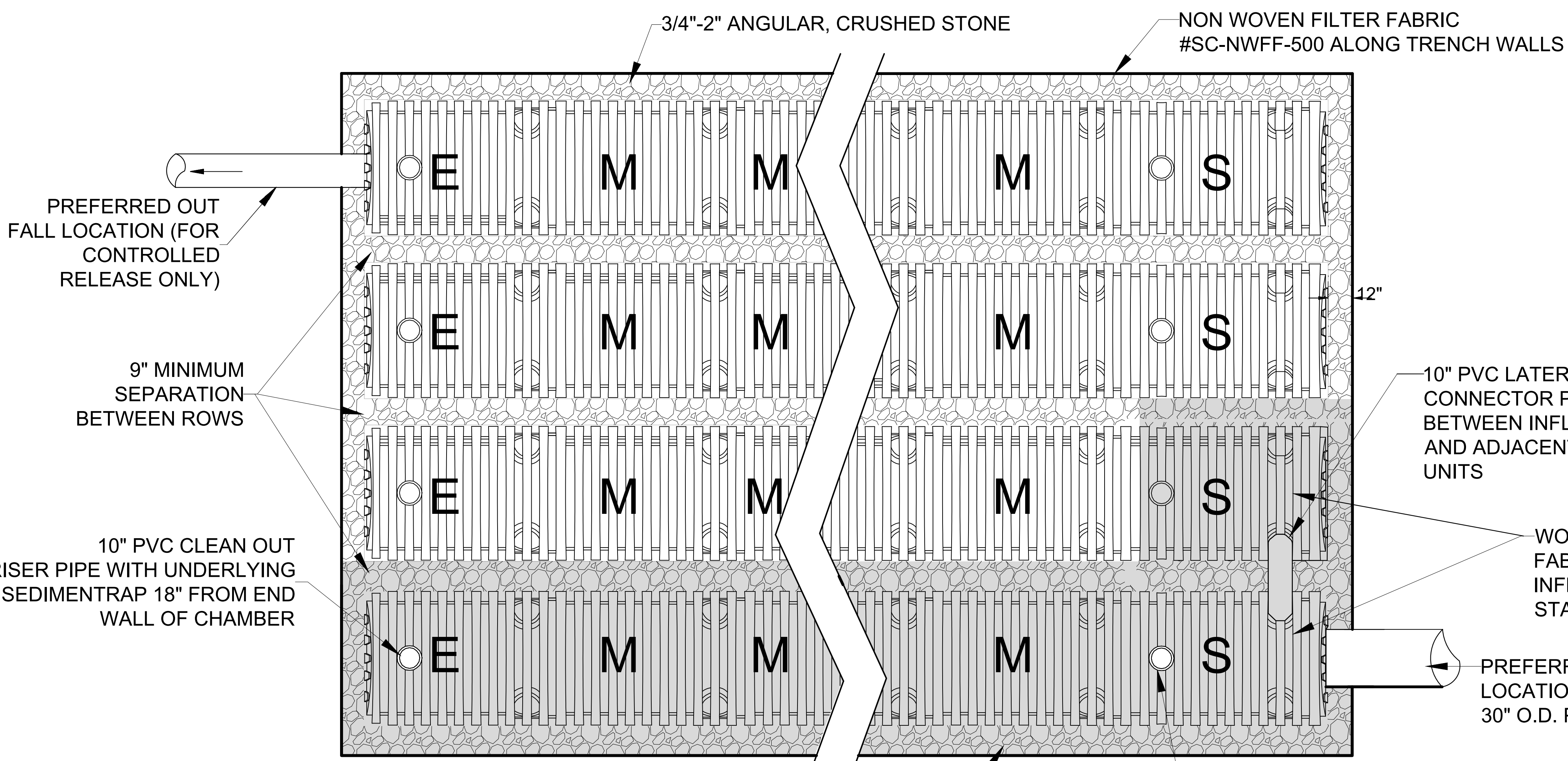


SC-34W DIMENSIONS



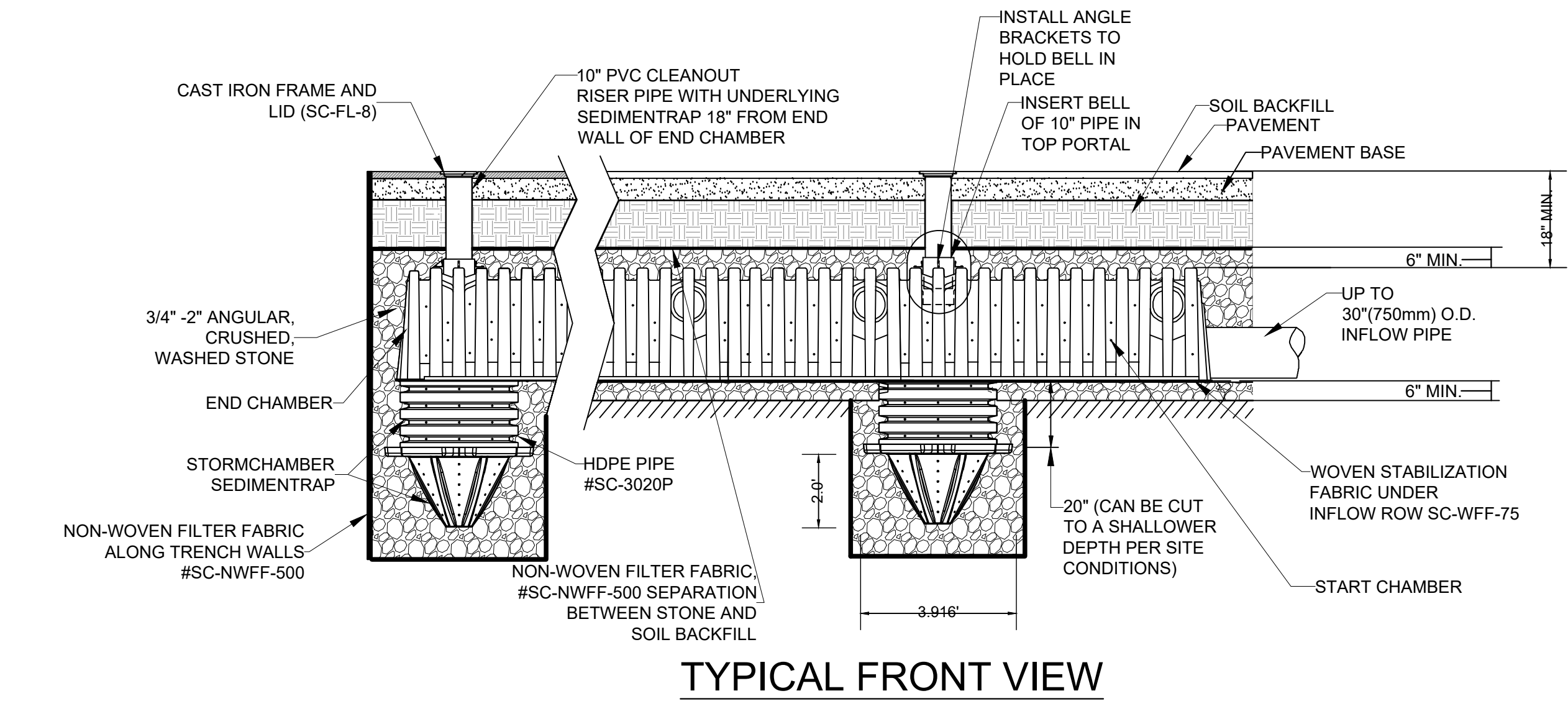
- NOTES:
 1. START CHAMBERS (CLOSED AT THE SIDE PORTAL END) ARE PLACED AT THE INFLOW END OF THE ROWS
 2. BEGIN PLACEMENTS WITH START CHAMBERS AND END ROWS WITH END CHAMBERS.
 3. PLACE FIRST RIB OF THE NEXT CHAMBER IN THE ROW OVER THE LAST RIB OF THE PREVIOUS CHAMBERS.



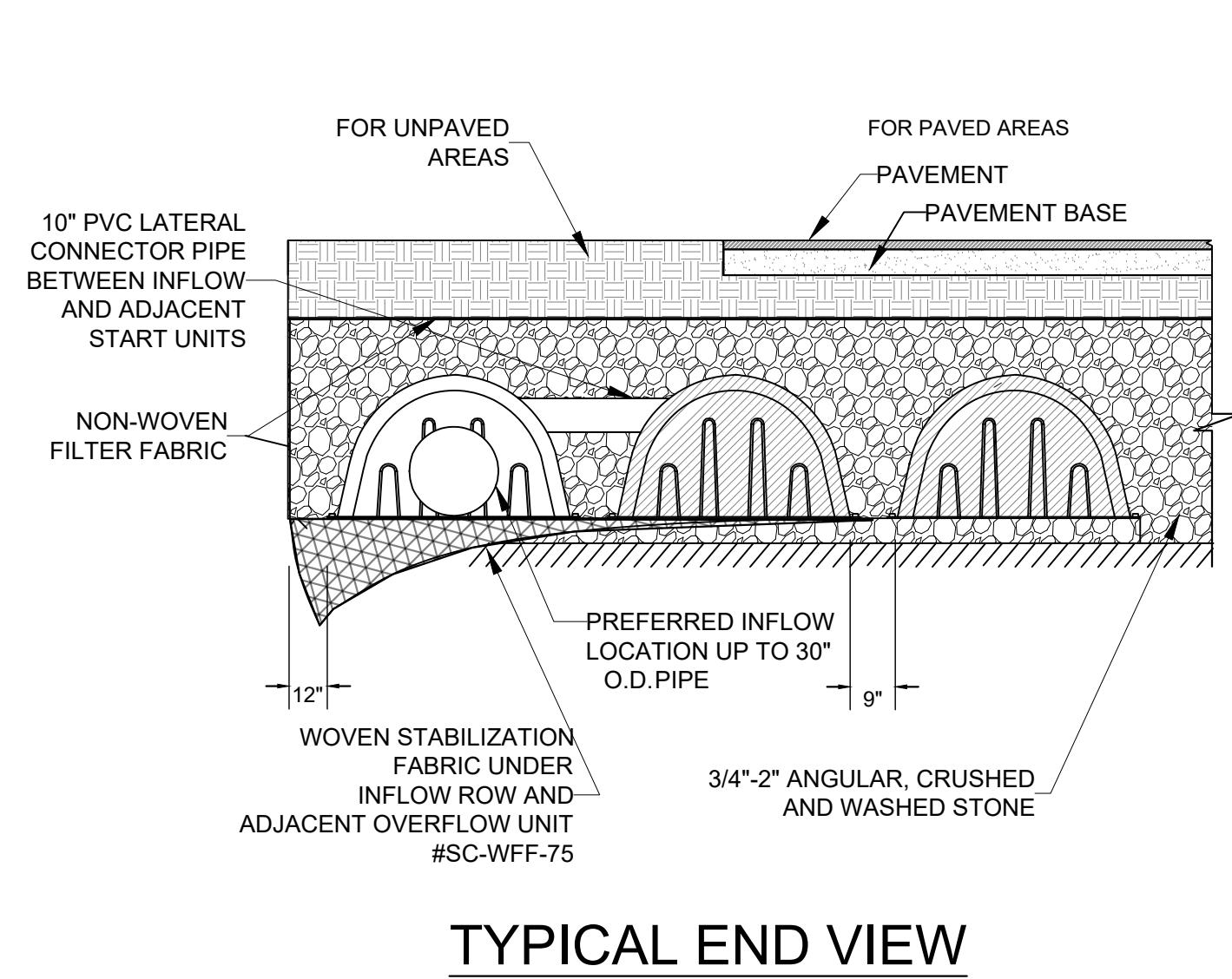
PLAN VIEW

DELIVERY LENGTHS ELEVATION VIEW

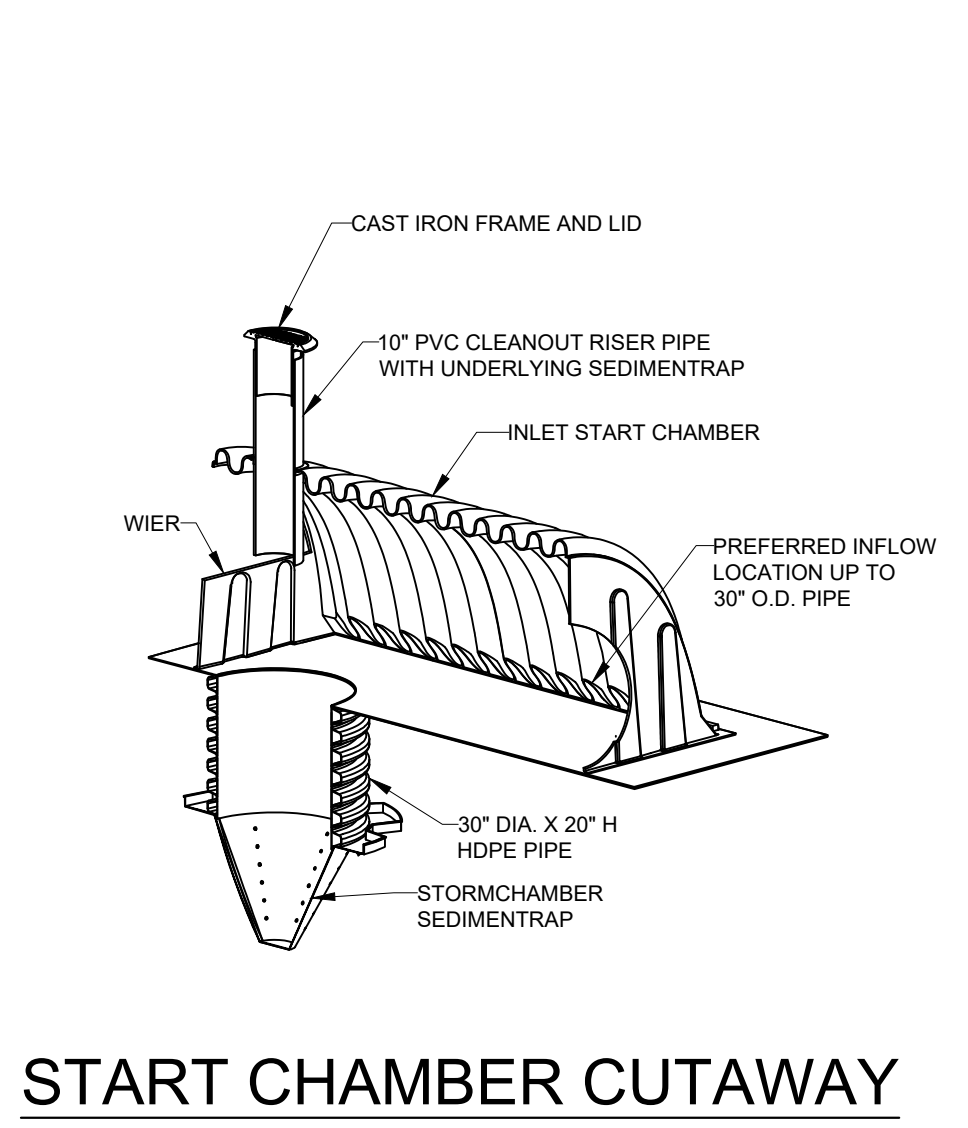
INSTALLED LENGTHS ELEVATION VIEW



TYPICAL FRONT VIEW



TYPICAL END VIEW



START CHAMBER CUTAWAY

| MATERIALS LIST | | | |
|--|-------------|-----|-------|
| DESCRIPTION | STOCK CODE | QTY | UNITS |
| CHAMBERS AND SEDIMENTRAP: | | | |
| START CHAMBER | SC-3475-S | | EACH |
| MIDDLE CHAMBER | SC-3475-M | | EACH |
| END CHAMBER | SC-3475-E | | EACH |
| SEDIMENTRAP | SC-ST | | EACH |
| FABRIC: | | | |
| NON WOVEN FILTER FABRIC | SC-NWFF-500 | | SQ FT |
| WOVEN STABILIZATION FABRIC | SC-WFF-75 | | SQ FT |
| PIPES: | | | |
| 30" DIA X 20" H HDPE PIPE ATTACHMENT FOR SEDIMENTRAP | SC-3020P | | EACH |
| 10" DIA RISER PIPE | OTHERS | | EACH |
| 8" FRAME AND LID | SC-FL-8 | | EACH |
| 10" DIA LATERAL CONNECTOR PIPE | OTHERS | | EACH |
| EARTHWORK MATERIALS: | | | |
| IN-PLACE EXCAVATION (NO BULKING FACTOR) | OTHERS | | CU FT |
| 3/4" TO 2" STONE | OTHERS | | CU FT |

TYPICAL STORM CHAMBER LAYOUT

PROJECT NAME
PROJECT CITY

TO-XXXX
 DATE: _____ REVISION: _____
 DRAWN BY: _____

