

107B

Series: Standard Series

Material: HDPE

Box Color: Black

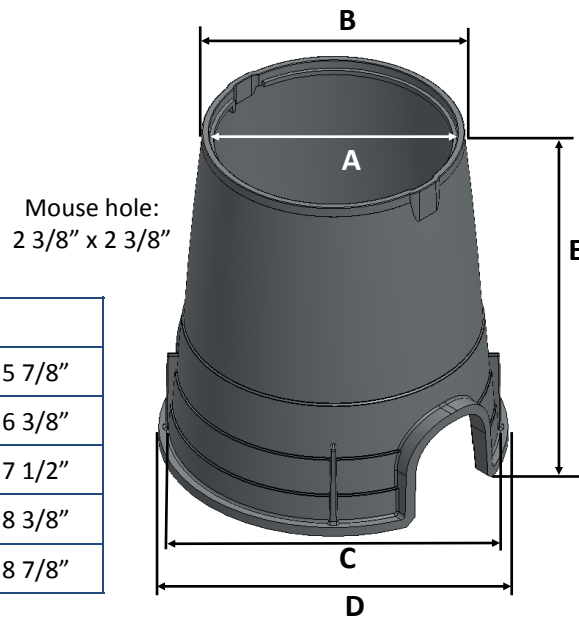
Box Weight: 1.04 lbs

Load rating:

Pedestrian and lawn care equipment

Fits all twist-lock 6" Valve box covers

MADE IN THE USA



Box Dimensions	
A. Top inside diameter	5 7/8"
B. Top outside diameter	6 3/8"
C. Bottom inside diameter	7 1/2"
D. Bottom outside diameter	8 3/8"
E. Height	8 7/8"