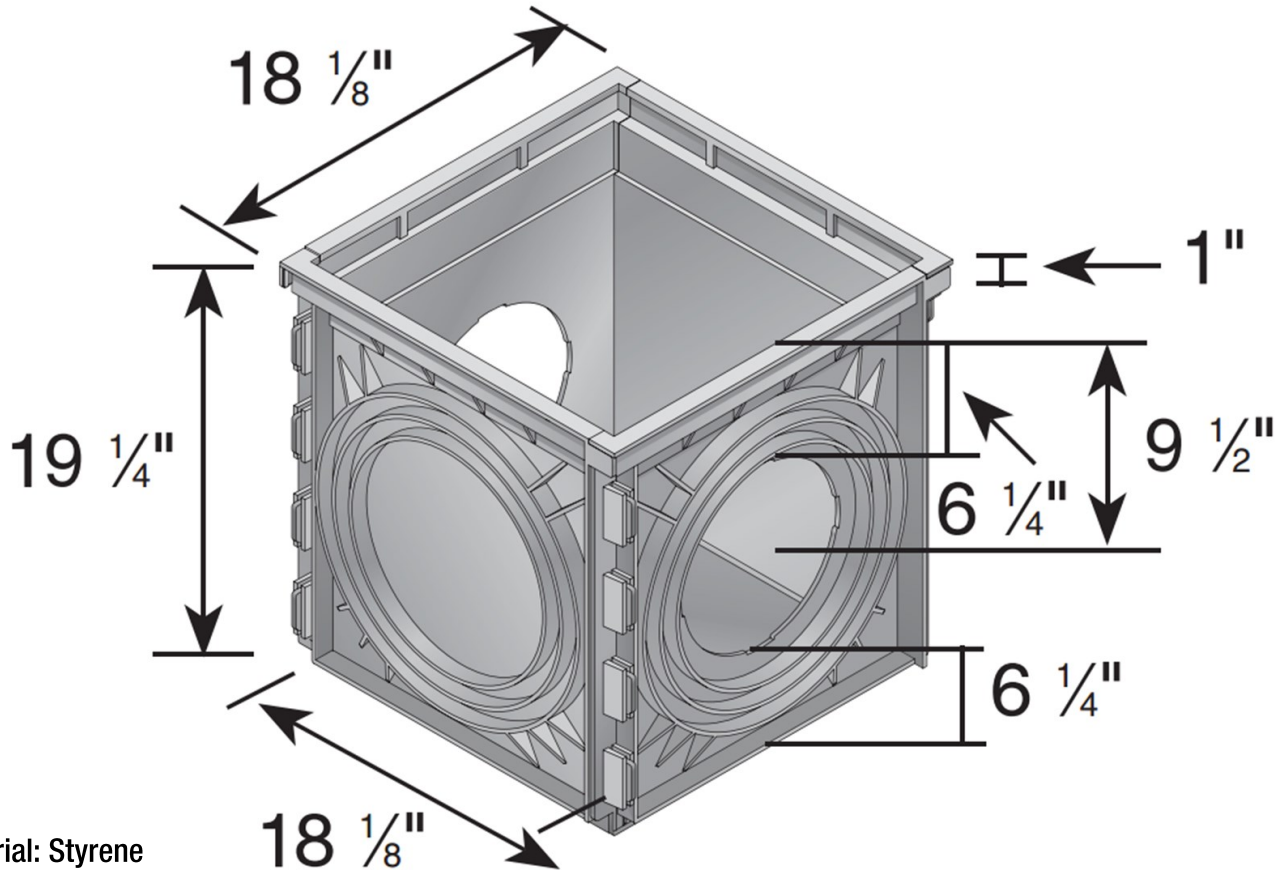


## 18" EXPANDABLE CATCH BASIN



**Material:** Styrene

**Weight:** 16.00 lbs

**Colors:** Black

- 18" Expandable Catch Basin with 2 Openings (1800)  
Composed of 2 #1820, 2 #1822, 1 #1828  
Includes 2 #1890 Reducer Rings
- 18" One Piece Catch Basin with 4 Openings (1804)  
Includes 4 #1890 Reducer Rings

Requires either #1206, #1242, #1245, #1266, #1888, or #1889 universal outlet to connect pipe

Connections are soil tight, require water proof silicone to make connections water tight