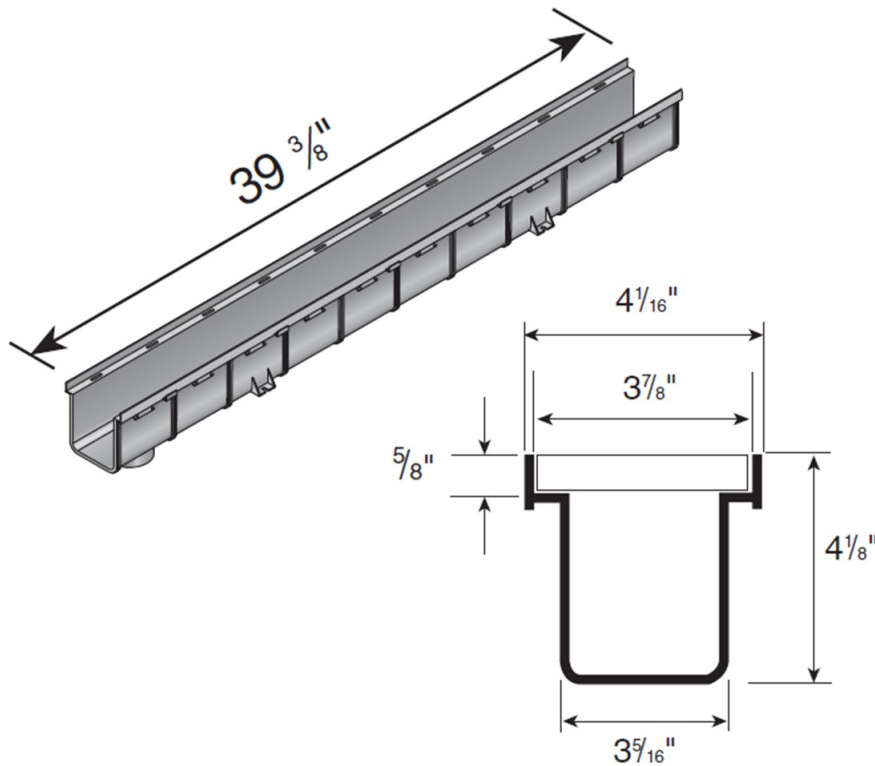


3" Pro Series Channel



Part #: 710 (3" x 1 Meter Channel)

Material: Channel PVC

Color: Light Gray (Grate)

Use with 3" Pro Series Grates

Fits: Bottom Outlet fits 3" Sewer/Drain Fitting

Weight Per Each: 2.50 lbs.

UV inhibitor



Class B

- Loads of 61-175 psi.
- Recommended for medium-duty pneumatic tire traffic, autos and light trucks at speeds less than 20 m.p.h.

