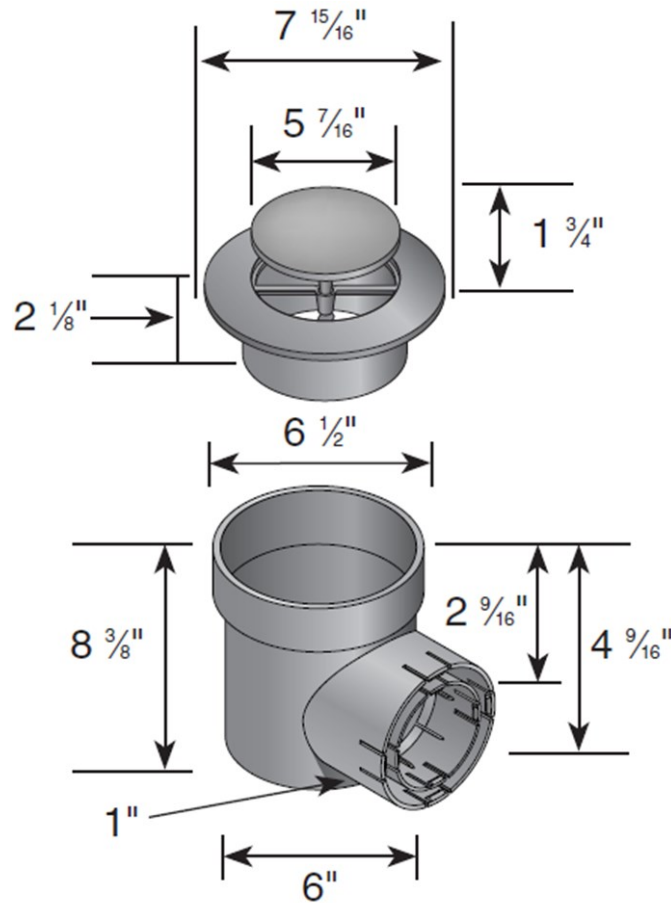


## 6" Pop Up Emitter with 6" Basin



Part #: 625 - Center Spring Loaded  
 Material: High Density Polypropylene (HDPE)  
 Colors: Pop Up (Green) Basin ( Black)  
 Fits: 3" and 4" sewer, drain, triple wall, corrugated and sch. 40 pipe  
 Spring: Stainless Steel Grade 302  
 Opening Pressure: 1 PSI  
 Open Surface Area: 28.8 Sq. Inches  
 Flow Rate  
 1" Head: 124.60 GPM  
 0.5" Head: 88.10 GPM  
 Basin: 6" NDS Spee-D Basin  
 Weight Per Each: 2.14 lbs.  
 UV inhibitor

### Load Recommendation Guide



#### Class A

- Loads of 1-60 psi.
- Recommended for pedestrians, bicycles and wheel chair traffic.

