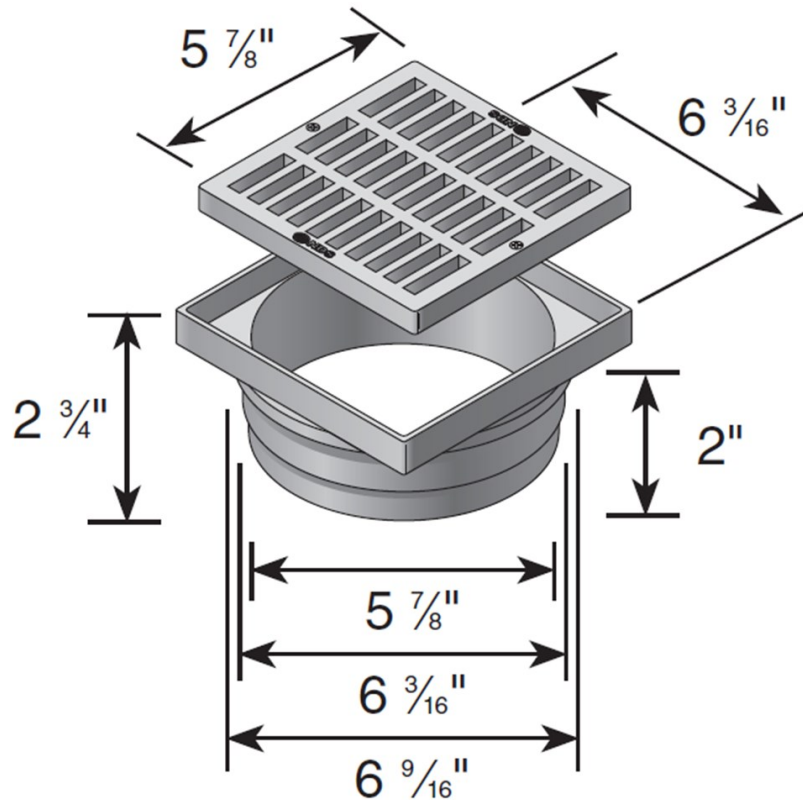


6" x 6" x 6" Square Grate & Adapter



Part #: 637, 638, & 639
 Material: Grate (HDPE) High Density Polypropylene
 Adapter (HIPS) High Impact Polystyrene
 Color: #637(Black), #638(Green), & #639(Gray)
 Fits: Spee-D Basin, 6" sewer and drain pipe and fittings.
 Grate Opening: 1/4"
 Open Surface Area: 14.44 Sq. Inches
 Head Pressure / Flow Rate:
Head (inches) - Max Flow
 1" = 62.47 GPM
 0.5" = 44.17 GPM
 Weigh Per Each: 0.88 lbs.
 UV inhibitor

Load Recommendation Guide



Class A

- Loads of 1-60 psi.
- Recommended for pedestrians, bicycles and wheel chair traffic.

ADA Compliant/Heel-proof

