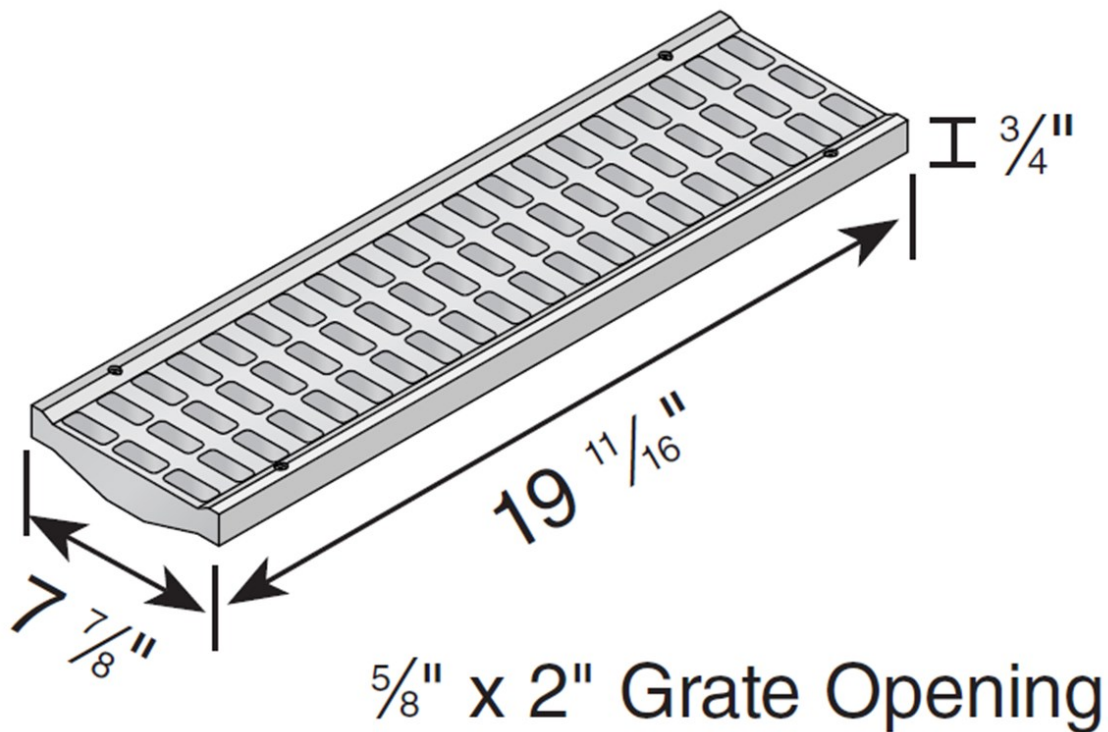


8" Pro Series Grate



Part #: 837

Material: Grate HDPE-High Density Polyethylene

Color: Light Gray

Use for 8" Pro Series Channel

Grate Opening: $\frac{5}{8}$ " x 2"

Open Surface Area: 30.28 Sq. Inches Per Foot.

Head Pressure / Flow rate:

1" = 131.0 GPM per Foot

0.5" = 96.63 GPM per Foot

Weight Per Each: 3 lbs.

UV inhibitor



Class B

- Loads of 61-175 psi.
- Recommended for medium-duty pneumatic tire traffic, autos and light trucks at speeds less than 20 m.p.h.

