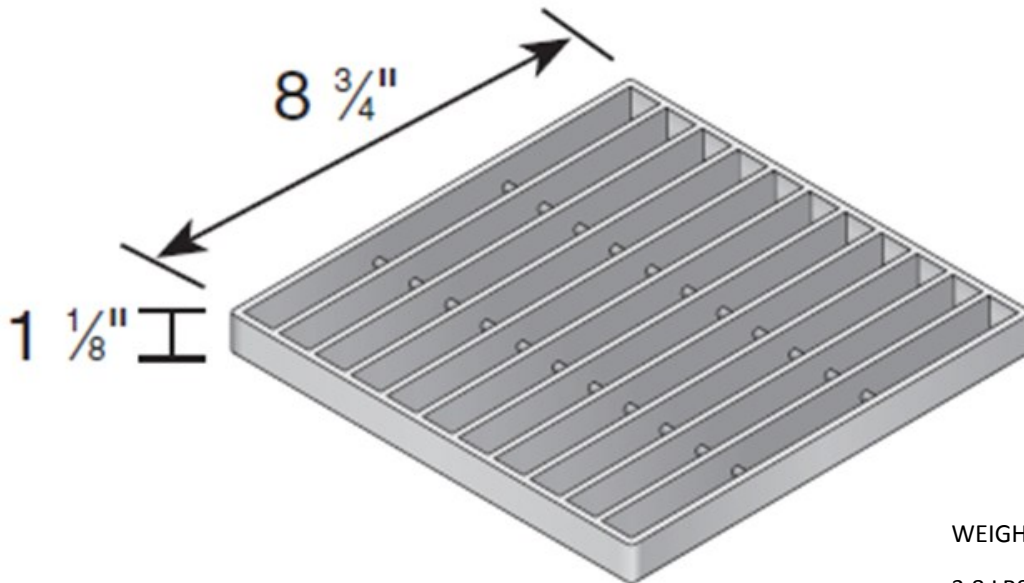


9" X 9" SQUARE GALVANIZED STEEL GRATE



WEIGHT per EACH:

3.8 LBS

$\frac{3}{4}$ " Grate Opening

Material: Galvanized Steel
Colors: Raw Galvanized Steel (915)
Fits: Use with 9" X 9" Catch Basin series
Opening: 61.94 in² open space
Will accommodate 189.48 gallons per minute
with 1/2" of head

Load Recommendation Guide



Class C

- Loads of 176-325 psi.
- Recommended for heavy-duty pneumatic tire forklifts and tractor trailers at speeds less than 20 m.p.h., H-20 rated.

