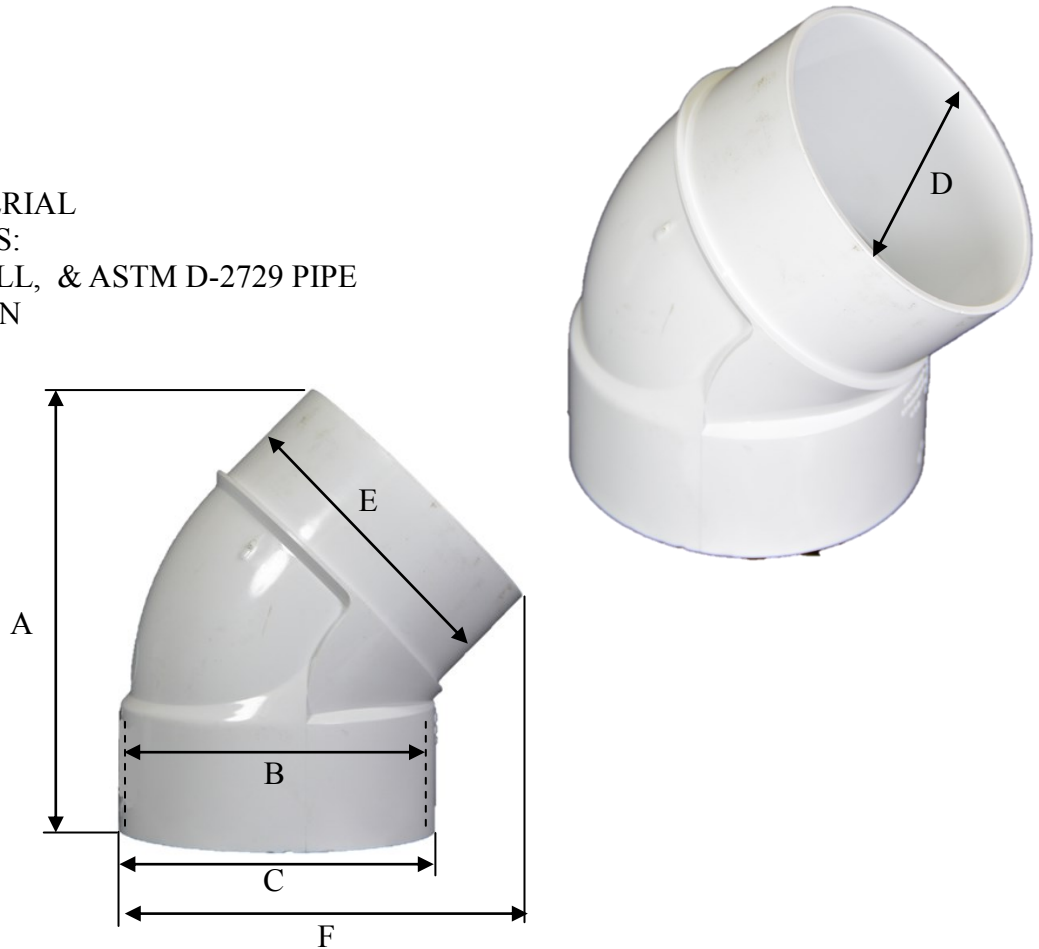


SEWER AND DRAIN 45 DEGREE STREET ELBOW

MEETS ASTM STANDARDS:
 PVC—ASTM D-3034, D-2729
 STYRENE—D-2852
 MOLDED IN THE USA
 MADE OF PVC TYPE I MATERIAL
 FITS THE FOLLOWING PIPES:
 SDR-35, SDR-26, TRIPLE WALL, & ASTM D-2729 PIPE
 SPIGOT X HUB CONNECTION
 O.D. = OUTSIDE DIAMETER
 I.D. = INSIDE DIAMETER



MATERIAL	PART NUMBER	A (INCHES)	HUB END		SPIGOT END		F (INCHES)	WEIGHT (LBS)
			B I.D. (INCHES)	C O.D. (INCHES)	D I.D. (INCHES)	E O.D. (INCHES)		
PVC	3P03ST	5.32	3.27	3.47	3.07	3.24	4.69	0.25
	4P03ST	6.38	4.22	4.43	3.95	4.20	5.85	0.50
	6P03ST	10.27	6.28	6.678	5.83	6.26	4.50	1.60
STYRENE	303ST	5.32	3.27	3.47	3.07	3.24	4.69	0.20
	403ST	6.38	4.22	4.43	3.95	4.20	5.85	0.40

NOTE: NOT FOR USE IN PRESSURIZED WATER SYSTEMS. 5 P.S.I. MAXIMUM
 DOES NOT FIT SCHEDULE 40 PIPE