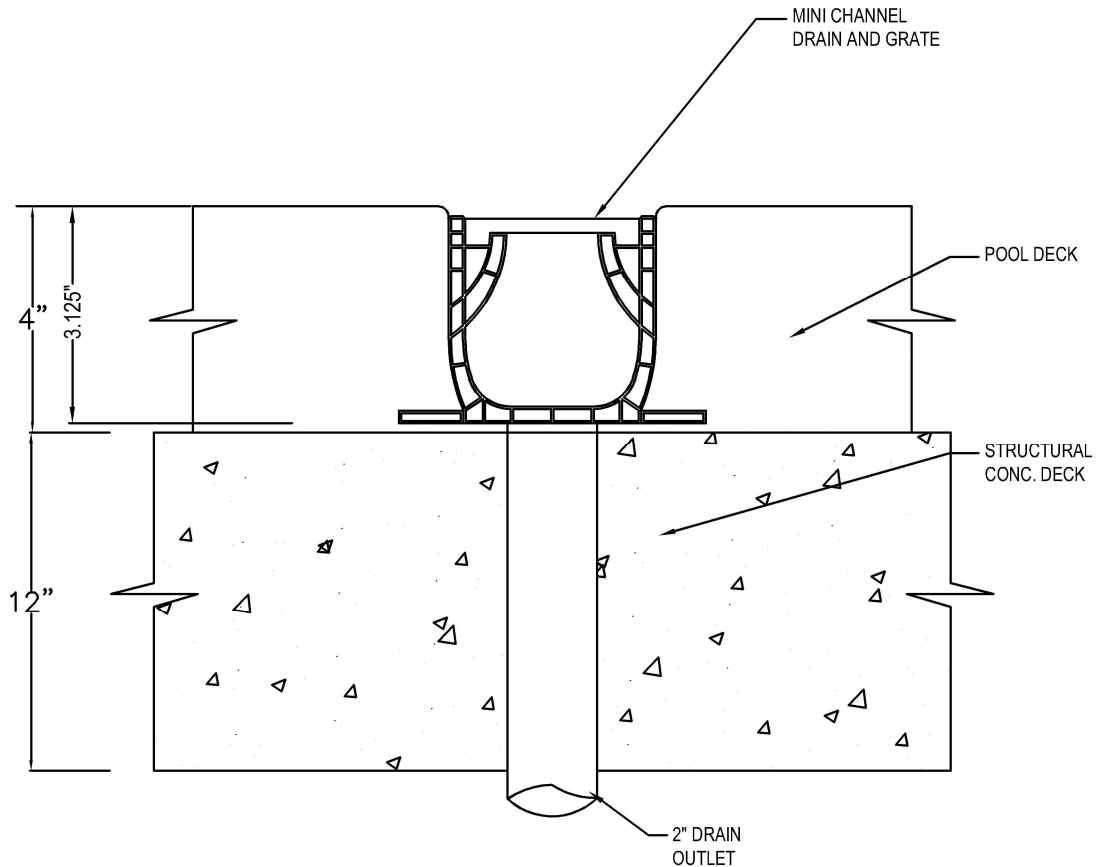




**NDS**  
We put water in its place

## INSTALLATION DETAIL



### NOTES:

1. EXISTING SOILS SHOULD BE EVALUATED TO ENSURE PROPER STRUCTURAL AND PERMEABILITY PROPERTIES.
2. INSTALLATION TO BE COMPLETED IN ACCORDANCE WITH MANUFACTURER'S SPECIFICATIONS.
3. DO NOT SCALE DRAWING.
4. THIS DRAWING IS INTENDED FOR USE BY ARCHITECTS, ENGINEERS, CONTRACTORS, CONSULTANTS AND DESIGN PROFESSIONALS FOR PLANNING PURPOSES ONLY.
5. RECESS CHANNEL/GRATE  $\frac{1}{8}$ " BELOW GROUND SURFACE.
6. ALL INFORMATION CONTAINED HEREIN WAS CURRENT AT THE TIME OF DEVELOPMENT BUT MUST BE REVIEWED AND APPROVED

### MINI CHANNEL INSTALLATION

POOL DECK INSTALLATION

FOR PRODUCT ASSISTANCE, CONTACT NDS TECHNICAL SERVICE AT [techservice@ndspro.com](mailto:techservice@ndspro.com), DESIGN ASSISTANCE- [designworx@ndspro.com](mailto:designworx@ndspro.com)  
851 N. HARVARD AVE. LINDSAY, CA 93247 WWW.NDSPRO.COM 1-800-726-1994