

14" x 19" PRO-SPEC™ VALVE BOXES

Series: Pro-Spec™ Series

Box Material: HDPE

Cover Material: HDPE

Box Weight: 5.70 lbs

Cover Weight: 2.61 lbs

Total Weight: 8.31 lbs

Load rating:

Pedestrian & lawn care equipment

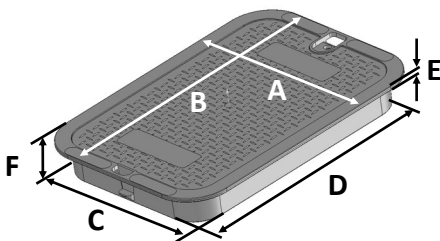
Includes 2 1/2" x 3/8" stainless steel bolt

Box includes 3/8-16 brass nut

All 14" x 19" covers and risers fit this box

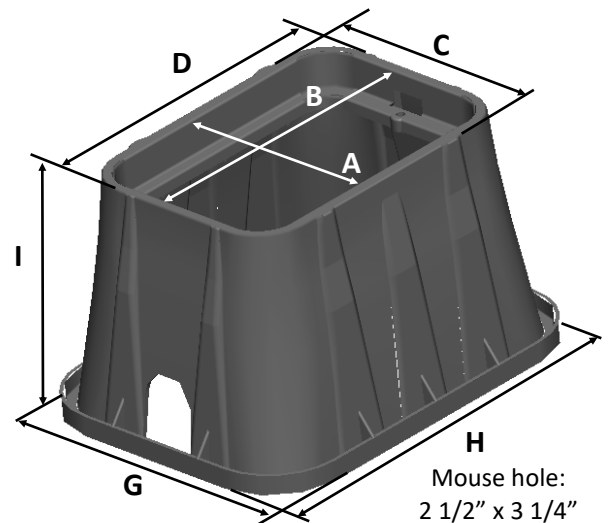
Made in USA

Made from 100% recycled materials



Lid Dimensions	
A. Top width	11 5/8"
B. Top length	16 13/16"
C. Bottom width	10 1/8"
D. Bottom length	15 1/4"
E. Rim thickness	1/4"
F. Overall height	2"

Box Dimensions	
A. Top inside width	10 1/2"
B. Top inside length	15 3/8"
C. Top outside width	11 11/16"
D. Top outside length	16 9/16"
E. Bottom inside width	13 15/16"
F. Bottom inside length	19 1/4"
G. Bottom outside width	15 3/4"
H. Bottom outside length	21 1/8"
I. Height	12"



14" x 19" PRO-SPEC™ VALVE BOXES

PART NUMBER	DESCRIPTION	BOX COLOR	COVER COLOR	COVER MARKING
BOX & COVER COMBINATIONS				
313BC	12" TALL BOX WITH OVERLAPPING COVER	BLACK	GREEN	ICV
313BCB	12" TALL BOX WITH OVERLAPPING BOLT-DOWN COVER	BLACK	GREEN	ICV
313BCBLK	12" TALL BOX WITH OVERLAPPING BOLT-DOWN COVER	BLACK	BLACK	ICV
313BCBR	12" TALL BOX WITH OVERLAPPING BOLT-DOWN COVER	BLACK	PURPLE	RECLAIMED WATER
313BCBRBLK	12" TALL BOX WITH OVERLAPPING BOLT-DOWN COVER	BLACK	BLACK	RECLAIMED WATER
313BCBRG	12" TALL BOX WITH OVERLAPPING BOLT-DOWN COVER	BLACK	GREEN	RECLAIMED WATER
313BCBS	12" TALL BOX WITH OVERLAPPING BOLT-DOWN COVER	BLACK	GREEN	SEWER
313BCBW	12" TALL BOX WITH OVERLAPPING BOLT-DOWN COVER	BLACK	GREEN	WATER
313BCBWBLK	12" TALL BOX WITH OVERLAPPING BOLT-DOWN COVER	BLACK	BLACK	WATER
314BC	12" TALL BOX WITH OVERLAPPING COVER	GREEN	GREEN	ICV
314BC ARNB	12" TALL BOX WITH OVERLAPPING BOLT-DOWN COVER	BLACK	BLACK	RECYCLED WATER (ENGLISH & SPANISH)
314BCB	12" TALL BOX WITH OVERLAPPING BOLT-DOWN COVER	GREEN	GREEN	ICV
314BCB ELEC	12" TALL BOX WITH OVERLAPPING BOLT-DOWN COVER	GRAY	GRAY	ELECTRIC
314BCBRG	12" TALL BOX WITH OVERLAPPING BOLT-DOWN COVER	GREEN	GREEN	RECLAIMED WATER
314BCBS	12" TALL BOX WITH OVERLAPPING BOLT-DOWN COVER	GREEN	GREEN	SEWER
314BCBW	12" TALL BOX WITH OVERLAPPING BOLT-DOWN COVER	GREEN	GREEN	WATER
314BCBSAND	12" TALL BOX WITH OVERLAPPING BOLT-DOWN COVER	SAND	SAND	ICV
314BCSAND	12" TALL BOX WITH OVERLAPPING COVER	SAND	SAND	ICV
314PBCBR	12" TALL BOX WITH OVERLAPPING BOLT-DOWN COVER	PURPLE	PURPLE	RECLAIMED WATER
314PBCR	12" TALL BOX WITH OVERLAPPING COVER	PURPLE	PURPLE	RECLAIMED WATER



14" x 19" PRO-SPEC™ VALVE BOXES

PART NUMBER	DESCRIPTION	COVER COLOR	COVER MARKING
COVER ONLY			
313C	OVERLAPPING COVER	GREEN	ICV
313C ELEC	OVERLAPPING COVER	GRAY	ELECTRIC
313CBLK	OVERLAPPING COVER	BLACK	ICV
313CBRN	OVERLAPPING COVER	BROWN	ICV
313CG ELEC	OVERLAPPING COVER	GREEN	ELECTRIC
313CR	OVERLAPPING COVER	PURPLE	RECLAIMED WATER
313CRBLK	OVERLAPPING COVER	BLACK	RECLAIMED WATER
313CRG	OVERLAPPING COVER	GREEN	RECLAIMED WATER
313CSAND	OVERLAPPING COVER	SAND	ICV
313CW	OVERLAPPING COVER	BLACK	WATER
314CS	OVERLAPPING COVER	GREEN	SEWER
314CW	OVERLAPPING COVER	GREEN	WATER

PART NUMBER	DESCRIPTION	BOX COLOR
BOX ONLY		
314B	12" TALL BOX	GREEN
314BBLK	12" TALL BOX	BLACK
113-6	6" TALL EXTENSION BOX	BLACK
114-6	6" TALL EXTENSION BOX	GREEN
116-SAND	6" TALL EXTENSION BOX	SAND
113BB	2-1/2" X 3/8" STAINLESS STEEL BOLT	STEEL

PHYSICAL PROPERTIES OF HDPE	ASTM TEST METHOD	TEST RANGE
TENSILE STRENGTH YIELD	D-638	3,400—4,400 PSI
FELXURAL MODULUS	D-790	140,000—200,152 psi
COMPRESSIVE STRENGTH	D-695	3,340—4,600 PSI
IMPACT STRENGTH, IZOD	D-256	1.5—15 FT. LBS/IN
DUROMETER HARDNESS, TYPE D	D-2240	63-67
DEFLECTION TEMPERATURE @66PSI STRESS	D-648	150-212°F
SPECIFIC GRAVITY	D-792	0.941—0.965

