

Standard Series – 14 in. X 19 in. Valve Box

APPLICATION

- Protects critical infrastructure such as irrigation control valves, sewer cleanouts, wire splices, and backflow valves
- Provides easy access for service and maintenance

FEATURES

- Structural support ribs reinforce box for added strength
- Universal Locking Mechanism (ULM)—patented design
 - Enables various sizes of bolts/screws to secure cover with a size range of 3/8 in. to 1/2 in. in diameter and minimum 2-1/2 in. long
 - Nut is no longer needed but speed nut slot also exists (speed nut not included)
- Fits all 14 in. x 19 in. covers and extensions

Universal Locking Mechanism



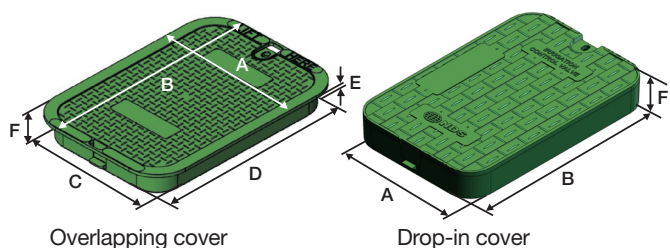
113BCD—Box and drop-in cover

SPECIFICATIONS

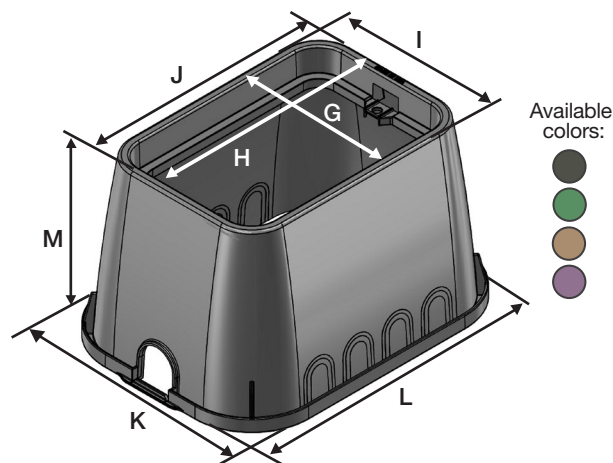
- Box material: PP
- Cover material: HDPE
- Box weight: 5.70 lbs.
- Cover weight: 2.61 lbs.
- Total weight: 8.31 lbs.
- Load rating: Pedestrian and lawn care equipment

WARRANTY

- Limited one-year warranty



Available colors:



Available colors:



Pipe hole: 2-5/8 in. X 2-3/4 in.

BOX DIMENSIONS (NOMINAL)

G. Top inside width	10-3/8 in.
H. Top inside length	15-1/2 in.
I. Top outside width	11-5/8 in.
J. Top outside length	16-3/4 in.
Bottom inside width	14 in.
Bottom inside length	19-1/4 in.
K. Bottom outside width	15-5/8 in.
L. Bottom outside length	21-1/4 in.
M. Height	12 in.

COVER DIMENSIONS (NOMINAL)

		113BCD only
A. Top width	11-1/2 in.	10-1/4 in.
B. Top length	16-5/8 in.	15-1/2 in.
C. Bottom width	10-1/8 in.	
D. Bottom length	15-1/4 in.	
E. Rim thickness	1/4 in.	
F. Overall height	2 in.	1-3/4 in.

Standard Series - 14 in. X 19 in. Valve Box Extension

APPLICATION

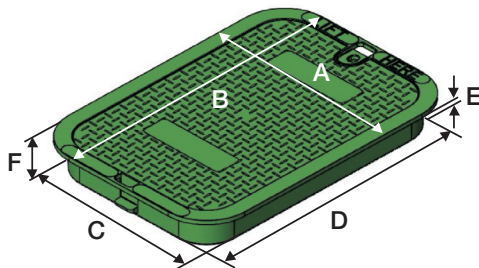
- Adds height to a traditional valve box
- Works as a standalone for shallow installations
- Protects critical infrastructure such as irrigation control valves, sewer cleanouts, wire splices, and backflow valves
- Provides easy access for service and maintenance

SPECIFICATIONS

- Box material: HDPE
- Cover material: HDPE
- Box weight: 4.0 lbs.
- Cover weight: 2.61 lbs.
- Total weight 6.61 lbs.
- Load rating: Pedestrian and lawn care equipment

WARRANTY

- Limited one-year warranty



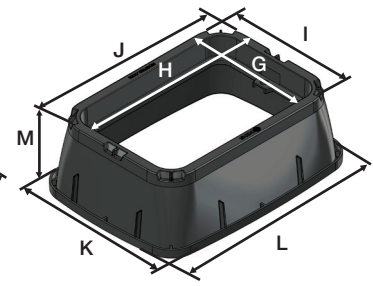
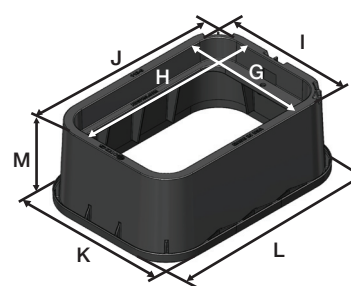
COVER DIMENSIONS (NOMINAL)	
A. Top width	11-1/2 in.
B. Top length	16-5/8 in.
C. Bottom width	10-1/8 in.
D. Bottom length	15-1/4 in.
E. Rim thickness	1/4 in.
F. Overall height	2 in.



Straight Wall 6 in. Extension
 115—black box & green cover
 116—green box & green cover
 113-6—black box only
 114-6—green box only
 116-SAND—sand box only



Tapered Wall 6 in. Extension
 115TBC—black box & green cover
 116TBC—green box & green cover
 116TBC SAND—sand box & sand cover



BOX DIMENSIONS (NOMINAL)		
	Straight Wall	Tapered Wall
G. Top inside width	10-1/4 in.	10-3/8 in.
H. Top inside length	15-1/2 in.	15-1/2 in.
I. Top outside width	11-7/8 in.	12 in.
J. Top outside length	17 in.	17-1/4 in.
Bottom inside width	12 in.	13-1/4 in.
Bottom inside length	17-1/4 in.	18-1/4 in.
K. Bottom outside width	13-1/4 in.	14-1/2 in.
L. Bottom outside length	18-1/2 in.	19-1/2 in.
M. Height	6-3/4 in.	6-3/8 in.

Box and Cover

PART NUMBER	DESCRIPTION	BOX COLOR	COVER COLOR	COVER MARKING
113BC	12 IN. TALL BOX WITH OVERLAPPING COVER	BLACK	GREEN	IRRIGATION CONTROL VALVE
113BC SAND	12 IN. TALL BOX WITH OVERLAPPING COVER	SAND	SAND	IRRIGATION CONTROL VALVE
113BCBLK	12 IN. TALL BOX WITH OVERLAPPING COVER	BLACK	BLACK	IRRIGATION CONTROL VALVE
113BCD	12 IN. TALL BOX WITH DROP-IN COVER	BLACK	GREEN	IRRIGATION CONTROL VALVE
113BCE	12 IN. TALL BOX WITH OVERLAPPING COVER	BLACK	GREEN	ELECTRICAL
113BCR	12 IN. TALL BOX WITH OVERLAPPING COVER	BLACK	PURPLE	RECLAIMED WATER
113BCRBLK	12 IN. TALL BOX WITH OVERLAPPING COVER	BLACK	BLACK	RECLAIMED WATER
113BCRG	12 IN. TALL BOX WITH OVERLAPPING COVER	BLACK	GREEN	RECLAIMED WATER
113BCS	12 IN. TALL BOX WITH OVERLAPPING COVER	BLACK	GREEN	SEWER
113BCW	12 IN. TALL BOX WITH OVERLAPPING COVER	BLACK	BLACK	WATER
113BCWG	12 IN. TALL BOX WITH OVERLAPPING COVER	BLACK	GREEN	WATER
113PBCR	12 IN. TALL BOX WITH OVERLAPPING COVER	PURPLE	PURPLE	RECLAIMED WATER
114BC	12 IN. TALL BOX WITH OVERLAPPING COVER	GREEN	GREEN	IRRIGATION CONTROL VALVE
114BCS	12 IN. TALL BOX WITH OVERLAPPING COVER	GREEN	GREEN	SEWER
114BCW	12 IN. TALL BOX WITH OVERLAPPING COVER	GREEN	GREEN	WATER
115	6 IN. TALL EXTENSION BOX WITH OVERLAPPING COVER	BLACK	GREEN	IRRIGATION CONTROL VALVE
116	6 IN. TALL EXTENSION BOX WITH OVERLAPPING COVER	GREEN	GREEN	IRRIGATION CONTROL VALVE
116-SAND	6 IN. TALL EXTENSION BOX WITH OVERLAPPING COVER	SAND	SAND	IRRIGATION CONTROL VALVE
115BCR	6 IN. TALL EXTENSION BOX WITH OVERLAPPING COVER	BLACK	PURPLE	RECLAIMED WATER
115TBC	6 IN. TALL TAPERED EXTENSION BOX WITH OVERLAPPING COVER	BLACK	GREEN	IRRIGATION CONTROL VALVE
116TBC	6 IN. TALL TAPERED EXTENSION BOX WITH OVERLAPPING COVER	GREEN	GREEN	IRRIGATION CONTROL VALVE
116TBC SAND	6 IN. TALL TAPERED EXTENSION BOX WITH OVERLAPPING COVER	SAND	SAND	IRRIGATION CONTROL VALVE

Cover Only

PART NUMBER	DESCRIPTION	COVER COLOR	COVER MARKING
113C	OVERLAPPING COVER	GREEN	IRRIGATION CONTROL VALVE
113C BRN	OVERLAPPING COVER	BROWN	IRRIGATION CONTROL VALVE
113C SAND	OVERLAPPING COVER	SAND	IRRIGATION CONTROL VALVE
113CB	OVERLAPPING COVER	BLACK	IRRIGATION CONTROL VALVE
113CE	OVERLAPPING COVER	GREEN	ELECTRICAL
113CR	OVERLAPPING COVER	PURPLE	RECLAIMED WATER
113CRG	OVERLAPPING COVER	GREEN	RECLAIMED WATER
113CS	OVERLAPPING COVER	GREEN	SEWER
113CW	OVERLAPPING COVER	BLACK	WATER
114CW	OVERLAPPING COVER	GREEN	WATER

Box Only

PART NUMBER	DESCRIPTION	BOX COLOR
113-6	6 IN. TALL EXTENSION BOX	BLACK
114-6	6 IN. TALL EXTENSION BOX	GREEN
113B	12 IN. TALL BOX	BLACK
114B	12 IN. TALL BOX	GREEN

Accessories

PART NUMBER	DESCRIPTION	SIZE
113BB	STAINLESS STEEL BOLT	2-1/2 IN. X 3/8 IN.