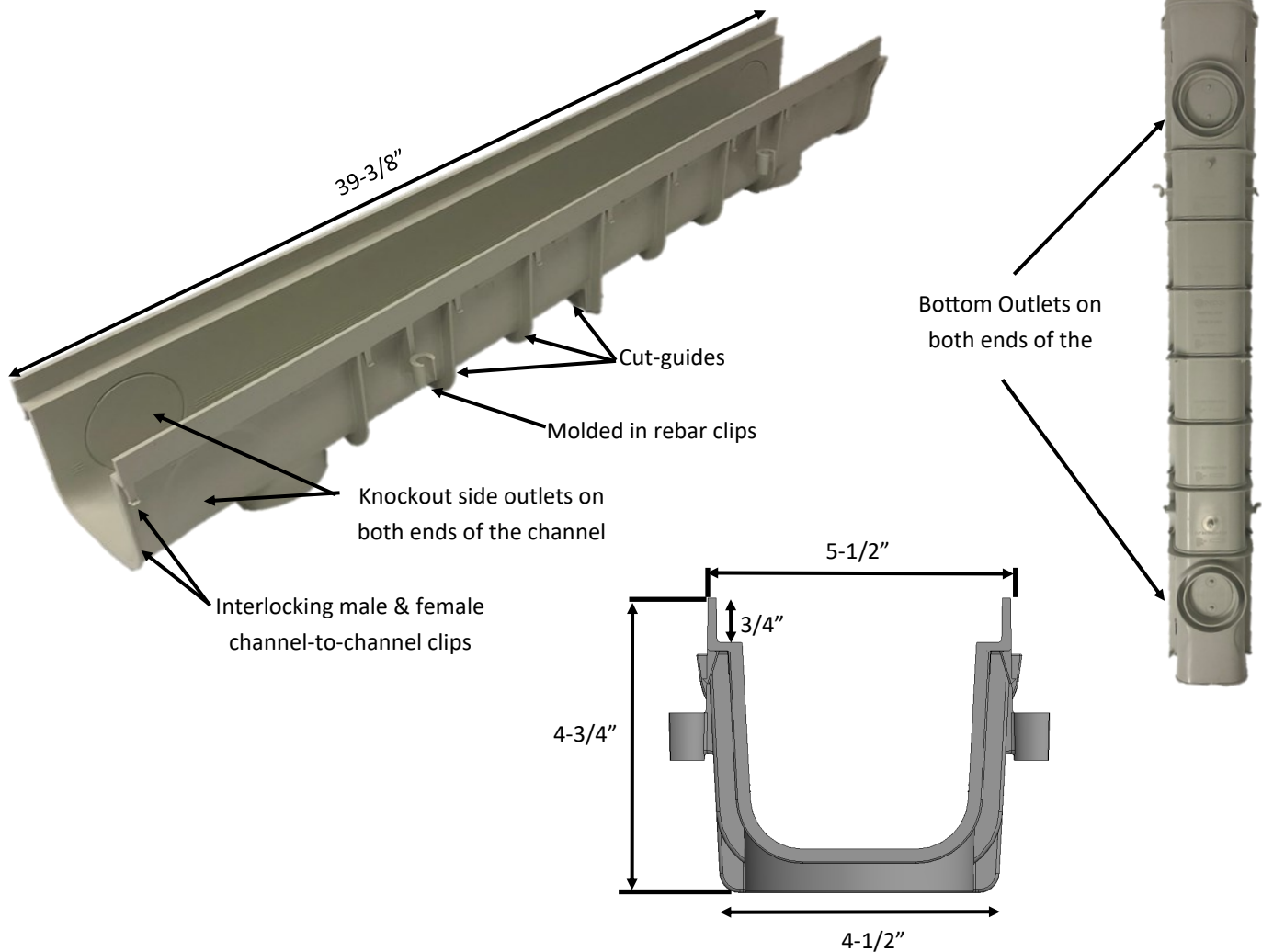




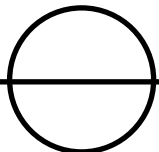
## TECHNICAL SPECIFICATION



| PART NUMBER | SIZE                      | MATERIAL                       | WEIGHT   |
|-------------|---------------------------|--------------------------------|----------|
| 800         | 5-1/2" X 4-3/4" X 39-3/8" | POLYPROPYLENE W/ UV INHIBITORS | 3.03 LBS |

### SPECIFICATION:

5" WIDE DEEP PROFILE CHANNEL DRAIN WITH MECHANICAL INTERLOCKING JOINTS.  
 INTEGRATED KNOCKOUT BOTTOM OUTLETS THAT FIT 3" AND 4" SEWER AND DRAIN FITTINGS  
 SIDE OUTLET KNOCKOUTS THAT FIT 3" SEWER AND DRAIN PIPE  
 MOLDED REBAR CLIPS TO FIT #4 (1/2") REBAR



## 5" PRO SERIES DEEP PROFILE CHANNEL DRAIN

POLYPROPYLENE

FOR PRODUCT ASSISTANCE, CONTACT NDS TECHNICAL SERVICE AT [techservice@ndspro.com](mailto:techservice@ndspro.com), DESIGN ASSISTANCE- [designworx@ndspro.com](mailto:designworx@ndspro.com)  
 851 N. HARVARD AVE. LINDSAY, CA 93247 WWW.NDSPRO.COM 1-800-726-1994 OPTION '3'