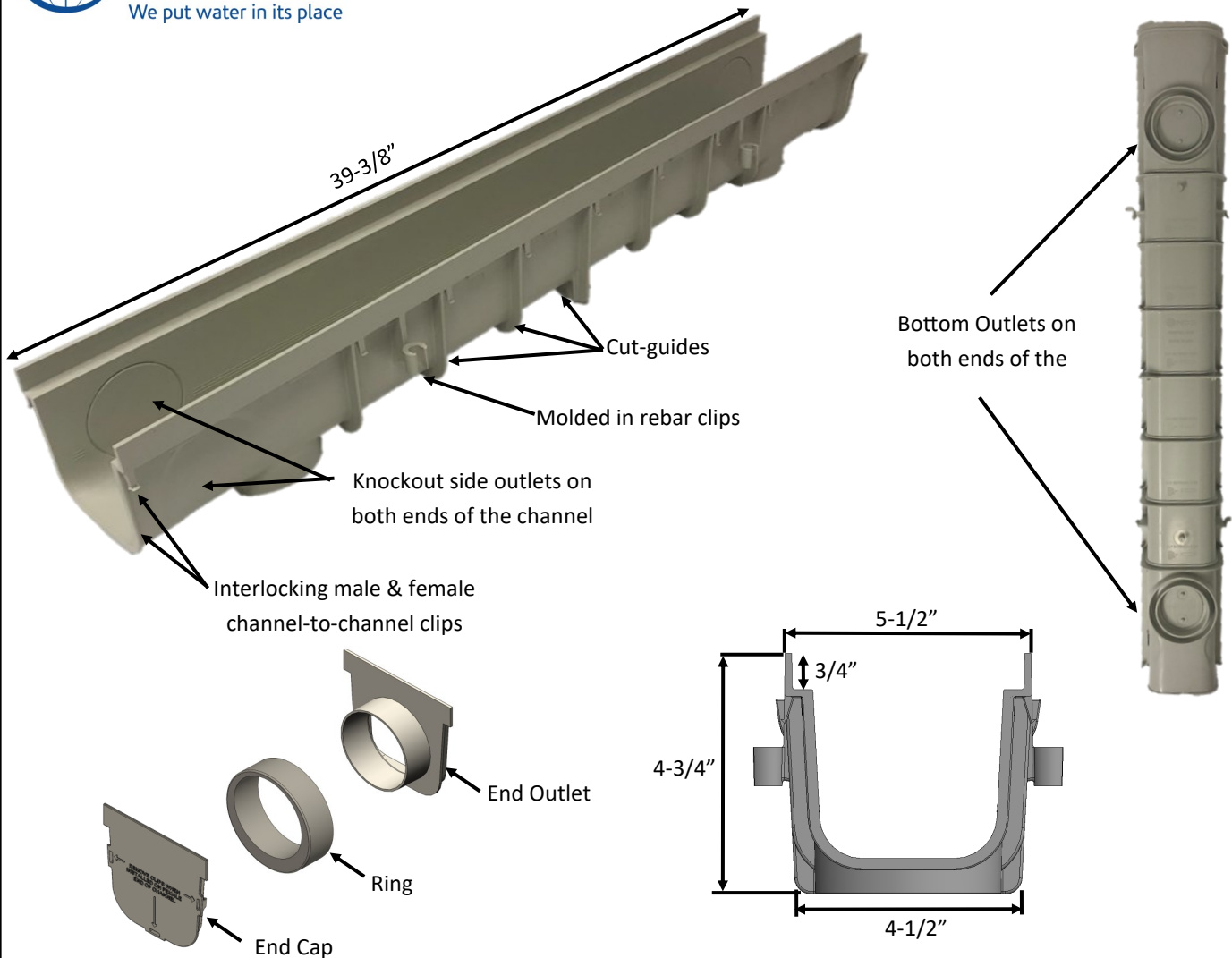




## TECHNICAL SPECIFICATION



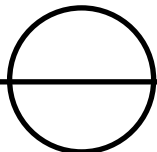
PART NUMBER	SIZE	MATERIAL	WEIGHT
864	5-1/2" X 4-3/4" X 39-3/8"	POLYPROPYLENE W/ UV INHIBITORS	3.03LBS

### SPECIFICATION:

- 5" WIDE DEEP PROFILE CHANNEL DRAIN WITH MECHANICAL INTERLOCKING JOINTS.
- INTEGRATED KNOCKOUT BOTTOM OUTLETS THAT FIT 3" AND 4" SEWER AND DRAIN FITTINGS
- SIDE OUTLET KNOCKOUTS THAT FIT 3" SEWER AND DRAIN PIPE
- MOLDED REBAR CLIPS TO FIT #4 (1/2") REBAR

### KIT INCLUDES:

- CHANNEL #800 (QTY. 1)
- LIGHT GRAY PLASTIC GRATE #814 (QTY. 2)
- END CAP #812 (QTY. 1)
- END OUTLET WITH RING #813 (QTY. 1)
- GRATE SCREWS #829 (QTY. 8)



## 5" PRO SERIES CHANNEL DRAIN KIT

WITH PLASTIC GRATE—#864

FOR PRODUCT ASSISTANCE, CONTACT NDS TECHNICAL SERVICE AT [techservice@ndspro.com](mailto:techservice@ndspro.com), DESIGN ASSISTANCE- [designworx@ndspro.com](mailto:designworx@ndspro.com)  
851 N. HARVARD AVE. LINDSAY, CA 93247 [WWW.NDSPRO.COM](http://WWW.NDSPRO.COM) 1-800-726-1994