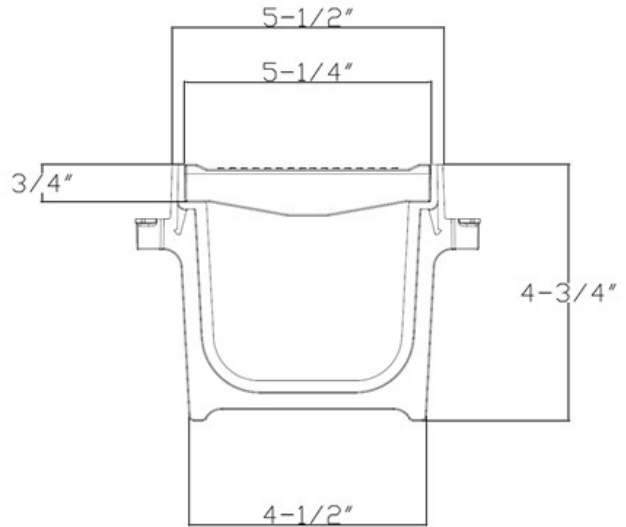




TECHNICAL SPECIFICATION



PART NUMBER	SIZE	MATERIAL	WEIGHT
PSRC-864	4-3/4" X 5- 1/2"	POLYPROPYLENE WITH UV INHIBITORS	.30 LBS

SPECIFICATION:

FOR USE WITH 5" PRO SERIES CHANNEL (#800)

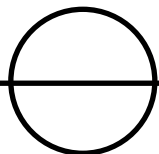
MECHANICAL INTERLOCKING JOINTS

REBAR TIE CLIPS FOR EASIER INSTALLATION, FITS #4 REBAR

THE TONGUE AND GROOVE ENDS QUICKLY SNAP INTO PLACE WITH BOTH CHANNEL PIECES AND RADIUS COUPLINGS FOR A PRECISE FIT. ONCE CONNECTED, THE RADIUS COUPLING REMAINS LOCKED VERTICALLY WHILE ROTATING UP TO SIX DEGREES HORIZONTALLY

LOAD CLASS B –LOADS OF 61-175 PSI. RECOMMENDED FOR MEDIUM DUTY-PNEUMATIC TIRE TRAFFIC, AUTOS AND LIGHT TRUCKS LESS THAN 20 MPH.

ADA COMPLIANT



5" PRO SERIES ACCESSORIES

RADIUS COUPLING

FOR PRODUCT ASSISTANCE, CONTACT NDS TECHNICAL SERVICE AT techservice@ndspro.com, DESIGN ASSISTANCE- designworx@ndspro.com
 851 N. HARVARD AVE. LINDSAY, CA 93247 WWW.NDSPRO.COM 1-800-726-1994