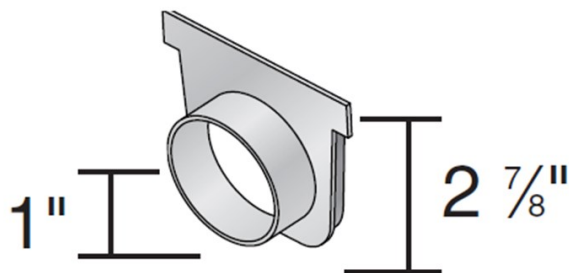
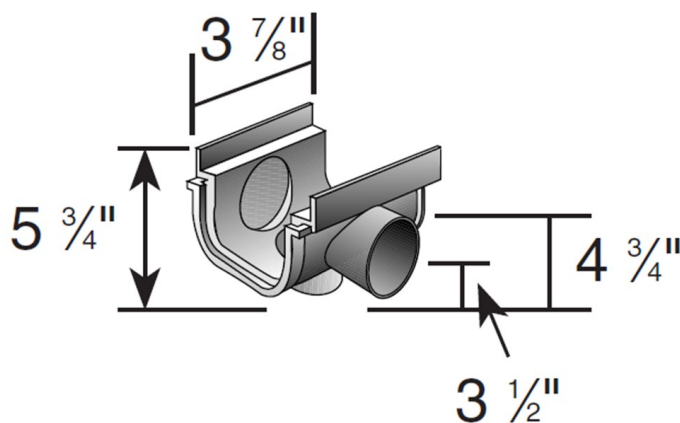




TECHNICAL SPECIFICATION

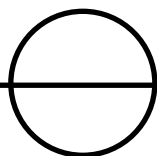


821 END OUTLET



822 SIDE/BOTTOM OUTLET

PART NUMBER	SIZE	MATERIAL	WEIGHT
821 END OUTLET	5-1/2" X 2-7/8" FITS 1-1/2" SCHED 40 FITTINGS	HIGH IMPACT PVC	.15 LBS
822 SIDE/BOTTOM OUTLET	5-1/2" X 5-3/4" X 3-7/8" BOTTOM OUTLET & SIDE OUTLET FITS 1-1/2" SCHED 40 FITTINGS	HIGH IMPACT PVC	.15 LBS



5" PRO SERIES ACCESSORIES

SHALLOW PROFILE

FOR PRODUCT ASSISTANCE, CONTACT NDS TECHNICAL SERVICE AT techservice@ndspro.com, DESIGN ASSISTANCE- designworx@ndspro.com

851 N. HARVARD AVE. LINDSAY, CA 93247 WWW.NDSPRO.COM 1-800-726-1994