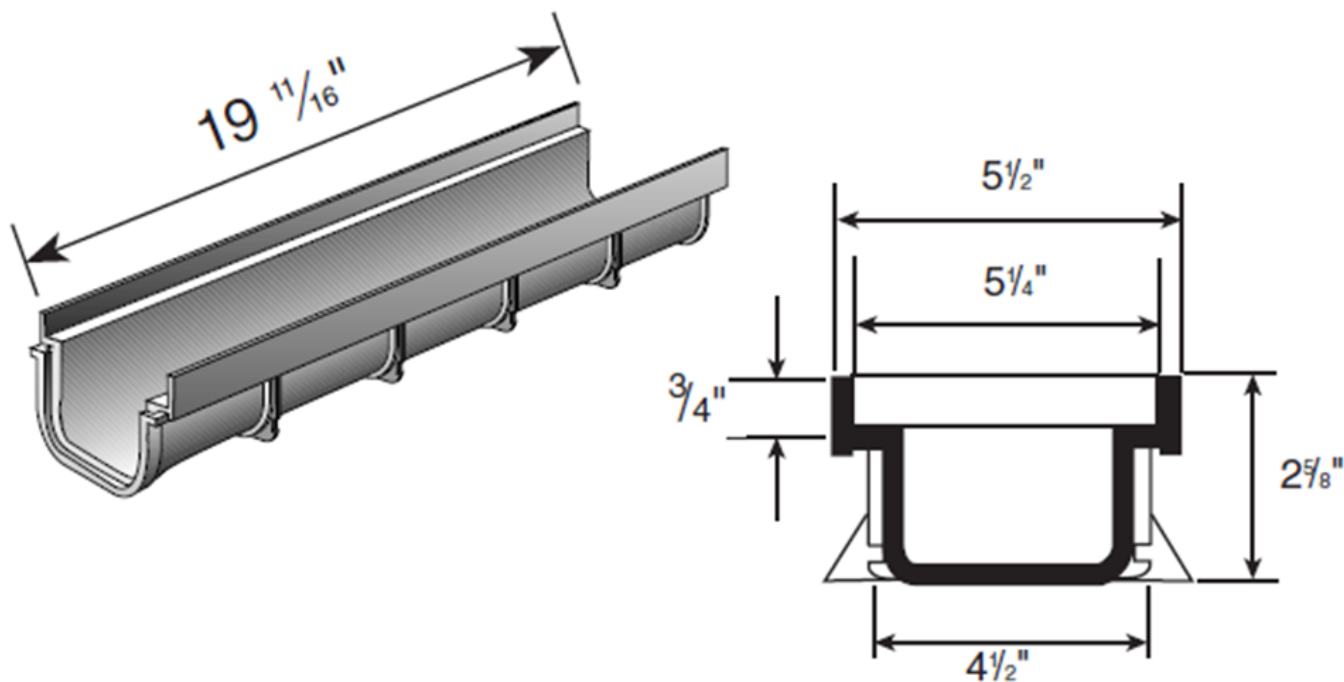




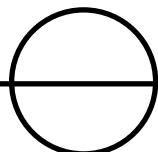
TECHNICAL SPECIFICATION



PART NUMBER	SIZE	MATERIAL	WEIGHT
820	5-1/4" X 2-5/8" X 19-11/16"	HIGH IMPACT PVC	1.35 LBS

SPECIFICATION:

5" WIDE SHALLOW PROFILE CHANNEL DRAIN WITH MECHANICAL INTERLOCKING JOINTS.



5" PRO SERIES SHALLOW PROFILE CHANNEL DRAIN

HIGH IMPACT PVC

FOR PRODUCT ASSISTANCE, CONTACT NDS TECHNICAL SERVICE AT techservice@ndspro.com, DESIGN ASSISTANCE- designworx@ndspro.com
851 N. HARVARD AVE. LINDSAY, CA 93247 WWW.NDSPRO.COM 1-800-726-1994