

6 in. Round Spee-D[®] Catch Basin Drains

APPLICATION

- Collect stormwater runoff and standing water and direct to drain pipes
- Drain surface water from lawns, landscaped areas, patios, and walkways

SPEE-D BASIN FEATURES (101, 201)

- Compatible with 24 NDS drain grates
- Built-in sump area collects particles before they can enter the pipeline
- 2 weephole knockouts allow for standing water in basin to slowly drain into the soil following a flow event
- Outlets compatible with 3 in. and 4 in. sewer & drain pipes, single-wall corrugated pipes, triple-wall pipes, and schedule 40 pipes
- Flex tabs lock onto most corrugated pipes
- Inner 3 in. outlet hub knocks out for full flow when using 4 in. drain pipes

SPEE-D RISER FEATURES (101R)

- Adds 2-6 in. of additional height to basin
- Compatible with 24 NDS drain grates
- Fully seats in Spee-D[®] basin rim
- 4 cut guides at 1 in. increments

OPERATING RANGE

- Low pressure gravity drainage systems less than 5 psi

SPECIFICATIONS

- Catch basins and riser made of polystyrene using a combination of virgin and recycled content treated with UV inhibitors
- Part number 101 weight: 1.6 lbs.
- Part number 201 weight: 1.8 lbs.
- Part number 101R weight: 1.1 lbs.
- Part number 101GRKIT weight: 2.1 lbs.

WARRANTY

- Limited one-year warranty

One- and two-outlet basins



Part number 101
One-outlet basin



Part number 201
Two-outlet basin

Basin with riser



Part number 101R
Spee-D basin riser

Part number 101
One-outlet Spee-D basin

One-outlet basin with green grate

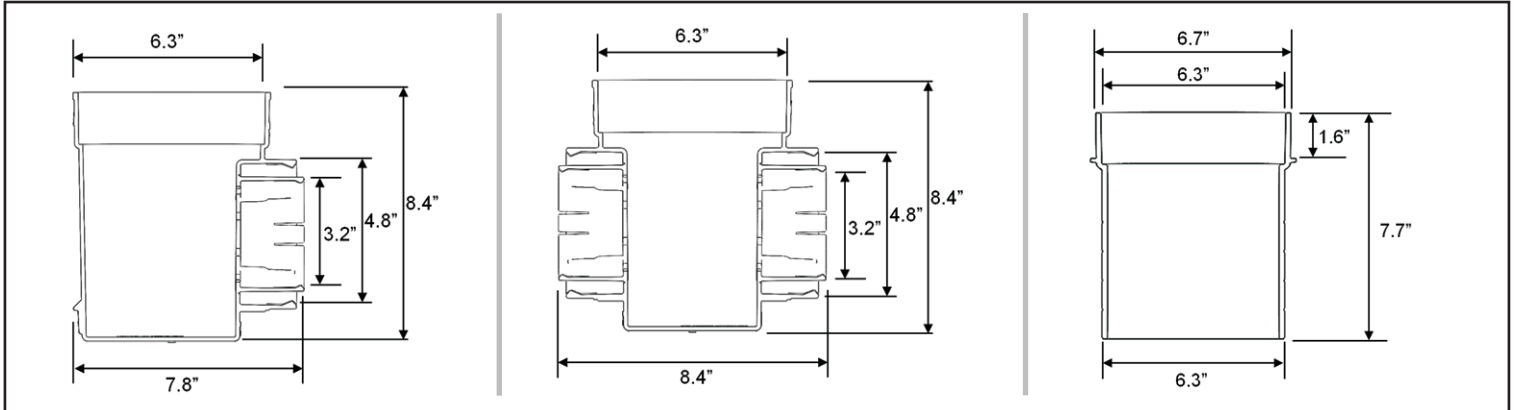


Part number 101GRKIT
One-outlet basin with 6 in. round green plastic grate

Part Number 101

Part Number 201

Part Number 101R

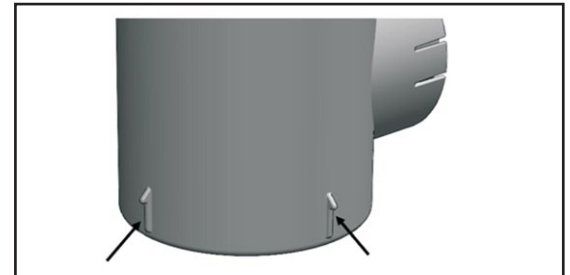


NDS Spee-D® Catch Basin Drains

Part Number	Material	Description	Flow Rate*
101	HIPS with UV protection	6 in. Round Spee-D Catch Basin Drain with one outlet	Based on type of grate installed
201	HIPS with UV protection	6 in. Round Spee-D Catch Basin Drain with two outlet	Based on type of grate installed
101GRKIT	Catch basin made of HIPS; grate made of HDPE; both with UV protection	6 in. Round Spee-D Catch Basin Kit with one-outlet basin and 6 in. green round grate	28 GPM

Side View

- Stacking ribs



Compatible NDS Grates

Part Number	Material	Description	Flow Rate*
D6	Ductile iron	6 in. round, slotted	22 GPM
40, 50, 60, 60S	HDPE with UV protection	6 in. round, slotted (ADA compliant)	28 GPM
10, 20, 30, 30S	HDPE with UV protection	8 in. round, slotted (ADA compliant)	35 GPM
921B, 922PB	Brass with styrene adapter	6 in. square, slotted (ADA compliant)	35 GPM
918B, 919PB	Brass with styrene collar	6 in. round, slotted (ADA compliant)	40 GPM
771, 772	HDPE with UV protection	7 in. square, slotted (ADA compliant)	42 GPM
881, 882	HDPE with UV protection	8 in. square, slotted (ADA compliant)	52 GPM
90B	Brass	6 in. round, atrium	69 GPM
950, 970	HDPE with UV protection	9 in. square, slotted (ADA compliant)	87 GPM
80, 81, 90, 90S	HDPE with UV protection	6 in. round, atrium	87 GPM

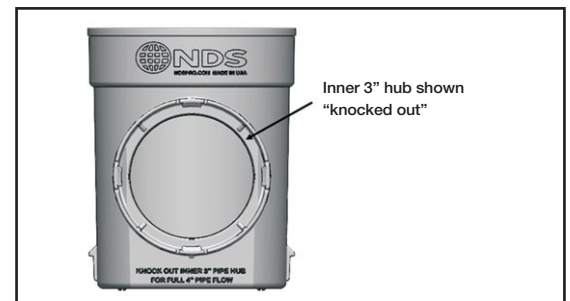
* Calculated with 0.5 inches of head above grate top

Compatible NDS Accessory

Part Number	Description
101R	Spee-D® Basin Riser, 2 in. to 6 in. nested height

End View

- Inner 3 in. hub knockout
- Knockout guidance



Bottom View

- Weephole knockouts

