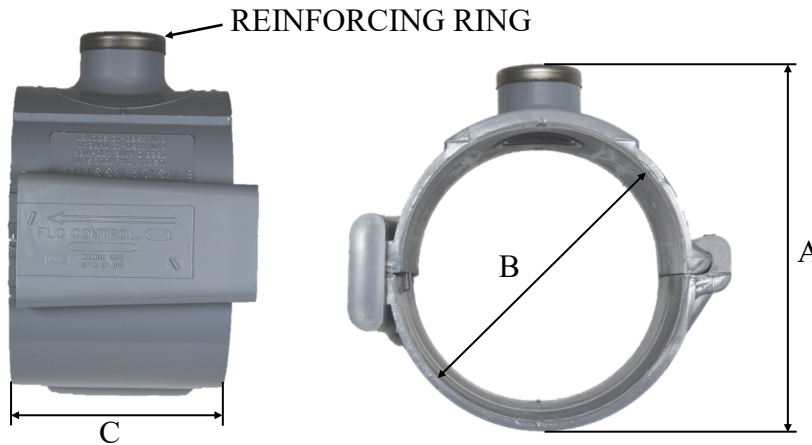


CLAMP-IT™ SADDLE FOR IPS PIPE

RATED @ 200 PSI STATIC PRESSURE @ 72°F
 NSF/ANSI 61+372 RATED
 MADE OF PVC TYPE II MATERIAL
 ONLY PARTS WITH FPT OUTLET HAVE STAINLESS
 STEEL REINFORCING RING.

FITS PVC IPS DIMENSION PIPE
 MOLDED IN THE USA

FPT—FEMALE PIPE THREAD
 S—SOLVENT WELD CONNETION (SLIP)



PART NUMBER (FPT)	PART NUMBER (SLIP)	WEDGE PART #	INLET O-RING	PIPE SIZE	TAP SIZE	A (INCHES)	B (INCHES)	C (INCHES)	WEIGHT (LBS)
421507	—	WEGE225	880-322	1 1/2"	3/4"	3.63	1.90	4	0.6
421510	—	WEGE225	880-322	1 1/2"	1"	3.70	1.90	4	0.7
422007	432007	WEGE225	880-327	2"	3/4"	3.78	2.375	4	0.8
422010	432010	WEGE225	880-327	2"	1"	3.90	2.375	4	0.8
422012	432012	WEGE225	880-327	2"	1 1/4"	4.10	2.375	4	0.8
422015	432015	WEGE225	880-327	2"	1 1/2"	4.20	2.375	4	0.8
422507	—	WEGE225	880-328	2-1/2"	3/4"	4.25	2.875	4	0.8
422510	432510	WEGE225	880-328	2-1/2"	1"	4.34	2.875	4	0.8
422515	432515	WEGE225	880-328	2-1/2"	1-1/2"	4.43	2.875	4	0.8
422520	432520	WEGE225	880-328	2-1/2"	2"	4.52	2.875	4	1.0

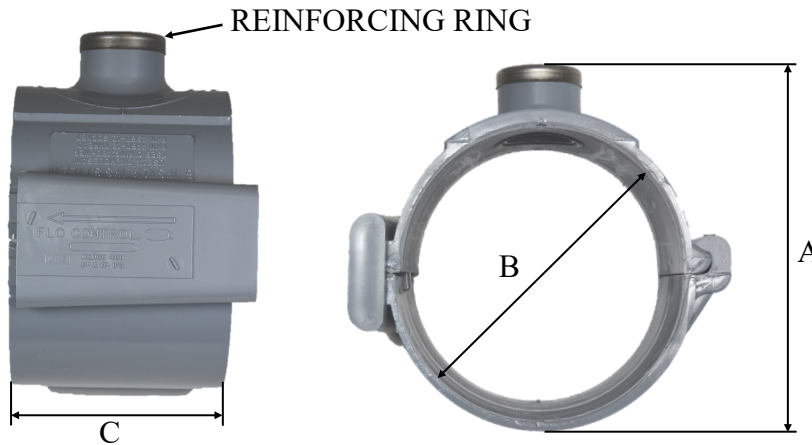


CLAMP-IT™ SADDLE FOR IPS PIPE

RATED @ 200 PSI STATIC PRESSURE @ 72°F
 NSF/ANSI 61+372 RATED
 MADE OF PVC TYPE II MATERIAL
 ONLY PARTS WITH FPT OUTLET HAVE STAINLESS
 STEEL REINFORCING RING.

FITS PVC IPS DIMENSION PIPE
 MOLDED IN THE USA

FPT—FEMALE PIPE THREAD
 S—SOLVENT WELD CONNETION (SLIP)



PART NUMBER (FPT)	PART NUMBER (SLIP)	WEDGE PART #	INLET O-RING	PIPE SIZE	TAP SIZE	A (INCHES)	B (INCHES)	C (INCHES)	WEIGHT (LBS)
443007	453007	WEGE380	880-328	3"	3/4"	4.96	3.5	5	1.2
443010	453010	WEGE380	880-328	3"	1"	5.13	3.5	5	1.4
443012	453012	WEGE380	880-328	3"	1-1/4"	5.18	3.5	5	1.4
443015	453015	WEGE380	880-328	3"	1-1/2"	5.23	3.5	5	1.4
443020	453020	WEGE380	880-332	3"	2"	5.33	3.5	5	1.4
444007	454007	WEGE380	880-328	4"	3/4"	5.85	4.5	5	1.4
444010	454010	WEGE380	880-328	4"	1"	5.92	4.5	5	1.6
444012	—	WEGE380	880-328	4"	1-1/4"	6.21	4.5	5	1.6
444015	454015	WEGE380	880-328	4"	1-1/2"	6.25	4.5	5	1.6
444020	454020	WEGE380	880-332	4"	2"	6.32	4.5	5	1.6

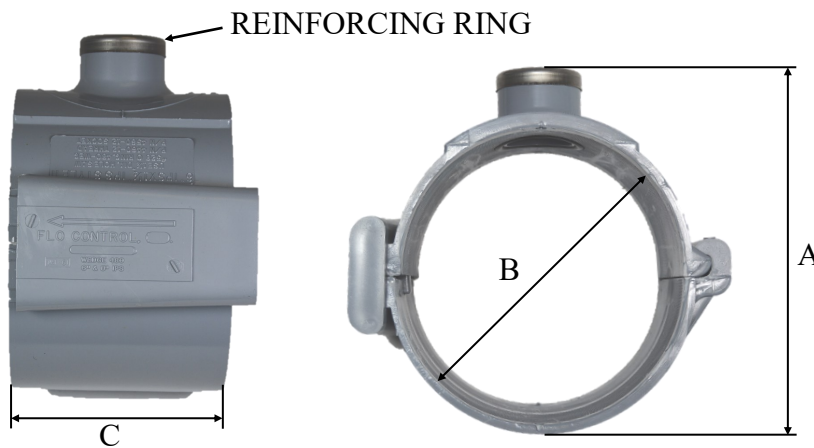


CLAMP-IT™ SADDLE FOR IPS PIPE

RATED @ 200 PSI STATIC PRESSURE @ 72°F
 NSF/ANSI 61+372 RATED
 MADE OF PVC TYPE II MATERIAL
 ONLY PARTS WITH FPT OUTLET HAVE STAINLESS
 STEEL REINFORCING RING.

FITS PVC IPS DIMENSION PIPE
 MOLDED IN THE USA

FPT—FEMALE PIPE THREAD
 S—SOLVENT WELD CONNETION (SLIP)



PART NUMBER (FPT)	PART NUMBER (SLIP)	WEDGE PART #	INLET O-RING	PIPE SIZE	TAP SIZE	A (INCHES)	B (INCHES)	C (INCHES)	WEIGHT (LBS)
446007	—	WEGE480	880-328	6"	3/4"	8.20	6.625	5	1.8
446010	456010	WEGE480	880-328	6"	1"	8.31	6.625	5	1.8
446012	—	WEGE480	880-328	6"	1-1/4"	8.42	6.625	5	1.8
446015	456015	WEGE480	880-328	6"	1-1/2"	8.53	6.625	5	2.0
446020	456020	WEGE480	880-332	6"	2"	8.63	6.625	5	2.0
448007	—	WEGE480	880-328	8"	3/4"	10.36	8.625	5	2.4
448010	—	WEGE480	880-328	8"	1"	10.44	8.625	5	2.6
448015	458015	WEGE480	880-328	8"	1-1/2"	10.55	8.625	5	2.6
448020	458020	WEGE480	880-332	8"	2"	10.67	8.625	5	2.6

